


ETHER NDE LTD

Probe Catalogue

June 2010

V3.0



 +44 (0) 1582 767 912

 sales@ethernde.com

 www.ethernde.com

Contents

Contents	2
Introduction.....	3
Pencil Probes (Double Shielded) - Absolute	4
Thread Inspection Probes (Unshielded) - Absolute.....	15
Broad Band Probes - Absolute.....	19
Rotating Probes - Reflection.....	20
Weld Probes - Bridge.....	24
Internal Diameter (ID) Probes - Bridge	26
Surface Inspection Probes.....	29
Encircling Probes	32
Test Blocks.....	36
Corner Notch (0.030" x 0.030")	37
Through Notch (0.020" deep x 0.004" Wide).....	37
Leads	38
Coming Soon	39
Special Probe Design Check List.....	40



ETHer NDE's factory Endeavour House, 3 Roundwood Lane, Harpenden

Introduction

Welcome to the ETher NDE Ltd. Probe Catalogue.

Mike Reilly and John Hansen founded ETher NDE Ltd on 1st January 2010. Mike was previously Group Managing Director of Sonatest PLC from 1989 to 2009, during which time the group grew from a \$2m to \$25m business. John was until recently Senior Staff Engineer for Eddy Current NDT at GE Inspection Technologies, St Albans, UK (previously Hocking NDT). John is the current Chairman of the BINDT Trade Group and a member of both the Electromagnetic and DICONDE ASTM Committees. The founders of Ether NDE have combined industry experience of 58 years.

Our modern spacious (257 square meter) factory is in Harpenden, Hertfordshire, UK Harpenden is 28 miles North West of London, 6 miles North of St Albans, 4 miles from Junction 9 or 10 of the M1 and just off the A1081(A6). There is a direct train link from Gatwick and Heathrow (34 miles by road) is one change using the Piccadilly Line and at St Pancreas change to First Capital Connect.

From the outset, ETher NDE will focus on eddy current probe design, probe repair services, ET/NDT accessories and consultancy. It will also represent selected international manufacturers of electromagnetic test equipment and accessories. Currently, the company represents ect, USA, for eddy current ID tube inspection and TCK for wire rope and conveyor belt inspection.

Plans for 2011 include the introduction of a class-leading portable eddy current instrument with a range of innovative features, which will be developed in conjunction with a North American technology partner.

Ruthless customer focus and providing customers with the innovative products and outstanding service they deserve, delivered on a timely basis, will be the key to the company's success.

Why Ether?

It could be that we all came out of nowhere "the ETher" so to speak. On the other hand it could be Eddy current Testing Hansen and Reilly. However if you are feeling particularly perverse it could all be down to "Ether Physics" a unified field theory that explains eddy currents see here

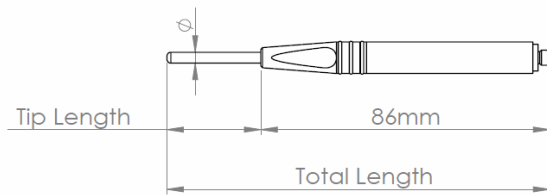
<http://www.16pi2.com/joomla/aetherphysics/eddycurrent.html>

Or is it just an anagram of three, the number of slots in an eddy current test block.

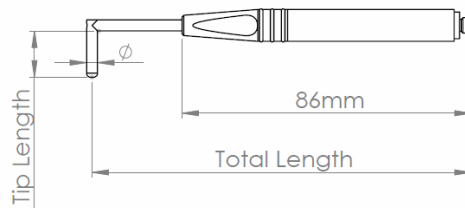
You choose.....

Pencil Probes (Double Shielded) - Absolute

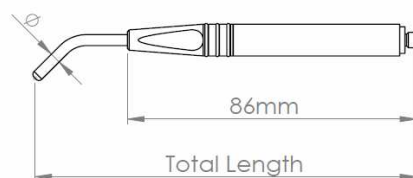
Straight with plastic handle



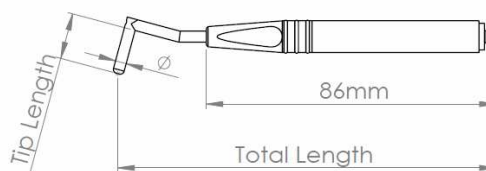
90deg Tip with plastic handle



45deg Crank with plastic handle



15deg Crank, 90deg Tip



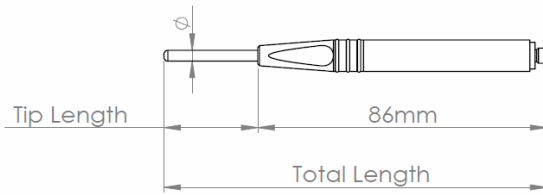
Application:

Absolute Pencil probes - for general purpose inspection of surface breaking defects and metallurgy variations.

Specification:

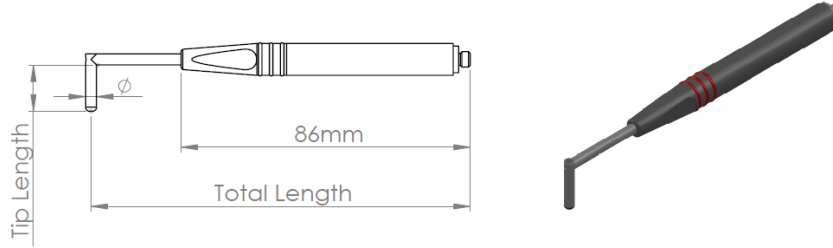
- Double Shielded
- Stainless Steel Shanks -Straight, 90deg Tip, 45deg Crank, 15deg crank + 90deg Tip
- Plastic Handle with finger scallops and neoprene grip
- Micro connector
- Centre frequency range - 200kHz 500kHz, 2MHz, 6MHz
- Operating range – 200kHz (50kHz – 600kHz), 500kHz (150kHz – 1.5MHz), 2MHz – (650kHz – 6MHz), 6MHz – (2MHz – 18MHz)
- Used on Fe & NFe applications
- Disconnectable

Straight with plastic handle coding:



ETHer NDE Part No.	Centre Frequency	Tip Length (Total Length)	ØTip
Probe, Shielded, Plastic Handle, Straight:			
PS200PS028-114N	200kHz	28mm Tip Length (Total Length 114mm, 4.5") (Straight Shank)	4.45
PS200PS066-152N	200kHz	66mm Tip Length (Total Length 152mm, 6.0") (Straight Shank)	4.45
PS200PS117-203N	200kHz	117mm Tip Length (Total Length 203mm, 8.0") (Straight Shank)	4.45
PS200PS168-254N	200kHz	168mm Tip Length (Total Length 254mm, 10.0") (Straight Shank)	4.45
PS200PS249-305N	200kHz	249mm Tip Length (Total Length 305mm, 12.0") (Straight Shank)	4.45
PS200PS028-114F	200kHz	28mm Tip Length (Total Length 114mm, 4.5") (Straight Shank)	3.30 (Fine)
PS200PS066-152F	200kHz	66mm Tip Length (Total Length 152mm, 6.0") (Straight Shank)	3.30 (Fine)
PS200PS117-203F	200kHz	117mm Tip Length (Total Length 203mm, 8.0") (Straight Shank)	3.30 (Fine)
PS200PS168-254F	200kHz	168mm Tip Length (Total Length 254mm, 10.0") (Straight Shank)	3.30 (Fine)
PS200PS249-305F	200kHz	249mm Tip Length (Total Length 305mm, 12.0") (Straight Shank)	3.30 (Fine)
PS500PS028-114N	500kHz	28mm Tip Length (Total Length 114mm, 4.5") (Straight Shank)	4.45
PS500PS066-152N	500kHz	66mm Tip Length (Total Length 152mm, 6.0") (Straight Shank)	4.45
PS500PS117-203N	500kHz	117mm Tip Length (Total Length 203mm, 8.0") (Straight Shank)	4.45
PS500PS168-254N	500kHz	168mm Tip Length (Total Length 254mm, 10.0") (Straight Shank)	4.45
PS500PS249-305N	500kHz	249mm Tip Length (Total Length 305mm, 12.0") (Straight Shank)	4.45
PS500PS028-114F	500kHz	28mm Tip Length (Total Length 114mm, 4.5") (Straight Shank)	3.30 (Fine)
PS500PS066-152F	500kHz	66mm Tip Length (Total Length 152mm, 6.0") (Straight Shank)	3.30 (Fine)
PS500PS117-203F	500kHz	117mm Tip Length (Total Length 203mm, 8.0") (Straight Shank)	3.30 (Fine)
PS500PS168-254F	500kHz	168mm Tip Length (Total Length 254mm, 10.0") (Straight Shank)	3.30 (Fine)
PS500PS249-305F	500kHz	249mm Tip Length (Total Length 305mm, 12.0") (Straight Shank)	3.30 (Fine)
PS002PS028-114N	2MHz	28mm Tip Length (Total Length 114mm, 4.5") (Straight Shank)	3.30
PS002PS066-152N	2MHz	66mm Tip Length (Total Length 152mm, 6.0") (Straight Shank)	3.30
PS002PS117-203N	2MHz	117mm Tip Length (Total Length 203mm, 8.0") (Straight Shank)	3.30
PS002PS168-254N	2MHz	168mm Tip Length (Total Length 254mm, 10.0") (Straight Shank)	3.30
PS002PS249-305N	2MHz	249mm Tip Length (Total Length 305mm, 12.0") (Straight Shank)	3.30
PS002PS028-114F	2MHz	28mm Tip Length (Total Length 114mm, 4.5") (Straight Shank)	2.34 (Fine)
PS002PS066-152F	2MHz	66mm Tip Length (Total Length 152mm, 6.0") (Straight Shank)	2.34 (Fine)
PS002PS117-203F	2MHz	117mm Tip Length (Total Length 203mm, 8.0") (Straight Shank)	2.34 (Fine)
PS002PS168-254F	2MHz	168mm Tip Length (Total Length 254mm, 10.0") (Straight Shank)	2.34 (Fine)
PS002PS249-305F	2MHz	249mm Tip Length (Total Length 305mm, 12.0") (Straight Shank)	2.34 (Fine)
PS006PS028-114N	6MHz	28mm Tip Length (Total Length 114mm, 4.5") (Straight Shank)	2.34
PS006PS066-152N	6MHz	66mm Tip Length (Total Length 152mm, 6.0") (Straight Shank)	2.34
PS006PS117-203N	6MHz	117mm Tip Length (Total Length 203mm, 8.0") (Straight Shank)	2.34
PS006PS168-254N	6MHz	168mm Tip Length (Total Length 254mm, 10.0") (Straight Shank)	2.34
PS006PS249-305N	6MHz	249mm Tip Length (Total Length 305mm, 12.0") (Straight Shank)	2.34
Other options available on request.			

90deg Tip with plastic handle coding:



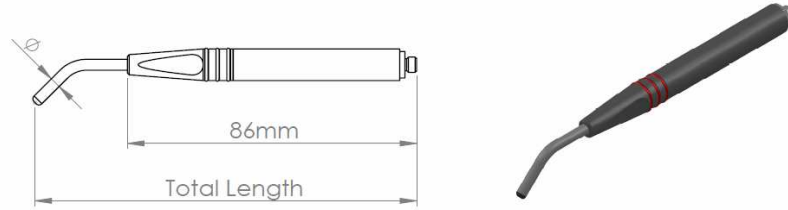
ETHer NDE Part No.	Centre Frequency	Tip Length (Total Length)	(Tip)
Probe, Shielded, Plastic Handle, Right angles 90deg Tip:			
PS200PR050-114N	200kHz	5.0 (MIN) Tip Length (Total Length 114mm, 4.5") (90deg Tip Shank)	4.45
PS200PR050-152N	200kHz	5.0 (MIN) Tip Length (Total Length 152mm, 6.0") (90deg Tip Shank)	4.45
PS200PR050-203N	200kHz	5.0 (MIN) Tip Length (Total Length 203mm, 8.0") (90deg Tip Shank)	4.45
PS200PR050-254N	200kHz	5.0 (MIN) Tip Length (Total Length 254mm, 10.0") (90deg Tip Shank)	4.45
PS200PR050-305N	200kHz	5.0 (MIN) Tip Length (Total Length 305mm, 12.0") (90deg Tip Shank)	4.45
PS200PR064-114N	200kHz	6.4 (0.25") Tip Length (Total Length 114mm, 4.5") (90deg Tip Shank)	4.45
PS200PR064-152N	200kHz	6.4 (0.25") Tip Length (Total Length 152mm, 6.0") (90deg Tip Shank)	4.45
PS200PR064-203N	200kHz	6.4 (0.25") Tip Length (Total Length 203mm, 8.0") (90deg Tip Shank)	4.45
PS200PR064-254N	200kHz	6.4 (0.25") Tip Length (Total Length 254mm, 10.0") (90deg Tip Shank)	4.45
PS200PR064-305N	200kHz	6.4 (0.25") Tip Length (Total Length 305mm, 12.0") (90deg Tip Shank)	4.45
PS200PR127-114N	200kHz	12.7 (0.5") Tip Length (Total Length 114mm, 4.5") (90deg Tip Shank)	4.45
PS200PR127-152N	200kHz	12.7 (0.5") Tip Length (Total Length 152mm, 6.0") (90deg Tip Shank)	4.45
PS200PR127-203N	200kHz	12.7 (0.5") Tip Length (Total Length 203mm, 8.0") (90deg Tip Shank)	4.45
PS200PR127-254N	200kHz	12.7 (0.5") Tip Length (Total Length 254mm, 10.0") (90deg Tip Shank)	4.45
PS200PR127-305N	200kHz	12.7 (0.5") Tip Length (Total Length 305mm, 12.0") (90deg Tip Shank)	4.45
PS200PR190-114N	200kHz	19.0 (0.75") Tip Length (Total Length 114mm, 4.5") (90deg Tip Shank)	4.45
PS200PR190-152N	200kHz	19.0 (0.75") Tip Length (Total Length 152mm, 6.0") (90deg Tip Shank)	4.45
PS200PR190-203N	200kHz	19.0 (0.75") Tip Length (Total Length 203mm, 8.0") (90deg Tip Shank)	4.45
PS200PR190-254N	200kHz	19.0 (0.75") Tip Length (Total Length 254mm, 10.0") (90deg Tip Shank)	4.45
PS200PR190-305N	200kHz	19.0 (0.75") Tip Length (Total Length 305mm, 12.0") (90deg Tip Shank)	4.45
PS200PR254-114N	200kHz	25.4 (1") Tip Length (Total Length 114mm, 4.5") (90deg Tip Shank)	4.45
PS200PR254-152N	200kHz	25.4 (1") Tip Length (Total Length 152mm, 6.0") (90deg Tip Shank)	4.45
PS200PR190-203N	200kHz	25.4 (1") Tip Length (Total Length 203mm, 8.0") (90deg Tip Shank)	4.45
PS200PR190-254N	200kHz	25.4 (1") Tip Length (Total Length 254mm, 10.0") (90deg Tip Shank)	4.45
PS200PR190-305N	200kHz	25.4 (1") Tip Length (Total Length 305mm, 12.0") (90deg Tip Shank)	4.45
PS200PRO27-114F	200kHz	2.7 (MIN) Tip Length (Total Length 114mm, 4.5") (90deg Tip Shank)	3.30 (Fine)
PS200PRO27-152F	200kHz	2.7 (MIN) Tip Length (Total Length 152mm, 6.0") (90deg Tip Shank)	3.30 (Fine)
PS200PRO27-203F	200kHz	2.7 (MIN) Tip Length (Total Length 203mm, 8.0") (90deg Tip Shank)	3.30 (Fine)
PS200PRO27-254F	200kHz	2.7 (MIN) Tip Length (Total Length 254mm, 10.0") (90deg Tip Shank)	3.30 (Fine)
PS200PRO27-305F	200kHz	2.7 (MIN) Tip Length (Total Length 305mm, 12.0") (90deg Tip Shank)	3.30 (Fine)
PS200PRO64-114F	200kHz	6.4 (0.25") Tip Length (Total Length 114mm, 4.5") (90deg Tip Shank)	3.30 (Fine)
PS200PRO64-152F	200kHz	6.4 (0.25") Tip Length (Total Length 152mm, 6.0") (90deg Tip Shank)	3.30 (Fine)
PS200PRO64-203F	200kHz	6.4 (0.25") Tip Length (Total Length 203mm, 8.0") (90deg Tip Shank)	3.30 (Fine)
PS200PRO64-254F	200kHz	6.4 (0.25") Tip Length (Total Length 254mm, 10.0") (90deg Tip Shank)	3.30 (Fine)
PS200PRO64-305F	200kHz	6.4 (0.25") Tip Length (Total Length 305mm, 12.0") (90deg Tip Shank)	3.30 (Fine)
PS200PR127-114F	200kHz	12.7 (0.5") Tip Length (Total Length 114mm, 4.5") (90deg Tip Shank)	3.30 (Fine)
PS200PR127-152F	200kHz	12.7 (0.5") Tip Length (Total Length 152mm, 6.0") (90deg Tip Shank)	3.30 (Fine)
PS200PR127-203F	200kHz	12.7 (0.5") Tip Length (Total Length 203mm, 8.0") (90deg Tip Shank)	3.30 (Fine)
PS200PR127-254F	200kHz	12.7 (0.5") Tip Length (Total Length 254mm, 10.0") (90deg Tip Shank)	3.30 (Fine)
PS200PR127-305F	200kHz	12.7 (0.5") Tip Length (Total Length 305mm, 12.0") (90deg Tip Shank)	3.30 (Fine)
PS200PR190-114F	200kHz	19.0 (0.75") Tip Length (Total Length 114mm, 4.5") (90deg Tip Shank)	3.30 (Fine)
PS200PR190-152F	200kHz	19.0 (0.75") Tip Length (Total Length 152mm, 6.0") (90deg Tip Shank)	3.30 (Fine)
PS200PR190-203F	200kHz	19.0 (0.75") Tip Length (Total Length 203mm, 8.0") (90deg Tip Shank)	3.30 (Fine)
PS200PR190-254F	200kHz	19.0 (0.75") Tip Length (Total Length 254mm, 10.0") (90deg Tip Shank)	3.30 (Fine)
PS200PR190-305F	200kHz	19.0 (0.75") Tip Length (Total Length 305mm, 12.0") (90deg Tip Shank)	3.30 (Fine)
PS200PR254-114F	200kHz	25.4 (1") Tip Length (Total Length 114mm, 4.5") (90deg Tip Shank)	3.30 (Fine)

ETHer NDE Part No.	Centre Frequency	Tip Length (Total Length)	(Tip)
Probe, Shielded, Plastic Handle, Right angles 90deg Tip:			
PS200PR254-152F	200kHz	25.4 (1") Tip Length (Total Length 152mm, 6.0") (90deg Tip Shank)	3.30 (Fine)
PS200PR190-203F	200kHz	25.4 (1") Tip Length (Total Length 203mm, 8.0") (90deg Tip Shank)	3.30 (Fine)
PS200PR190-254F	200kHz	25.4 (1") Tip Length (Total Length 254mm, 10.0") (90deg Tip Shank)	3.30 (Fine)
PS200PR190-305F	200kHz	25.4 (1") Tip Length (Total Length 305mm, 12.0") (90deg Tip Shank)	3.30 (Fine)
PS500PR050-114N	500kHz	5.0 (MIN) Tip Length (Total Length 114mm, 4.5") (90deg Tip Shank)	4.45
PS500PR050-152N	500kHz	5.0 (MIN) Tip Length (Total Length 152mm, 6.0") (90deg Tip Shank)	4.45
PS500PR050-203N	500kHz	5.0 (MIN) Tip Length (Total Length 203mm, 8.0") (90deg Tip Shank)	4.45
PS500PR050-254N	500kHz	5.0 (MIN) Tip Length (Total Length 254mm, 10.0") (90deg Tip Shank)	4.45
PS500PR050-305N	500kHz	5.0 (MIN) Tip Length (Total Length 305mm, 12.0") (90deg Tip Shank)	4.45
PS500PR064-114N	500kHz	6.4 (0.25") Tip Length (Total Length 114mm, 4.5") (90deg Tip Shank)	4.45
PS500PR064-152N	500kHz	6.4 (0.25") Tip Length (Total Length 152mm, 6.0") (90deg Tip Shank)	4.45
PS500PR064-203N	500kHz	6.4 (0.25") Tip Length (Total Length 203mm, 8.0") (90deg Tip Shank)	4.45
PS500PR064-254N	500kHz	6.4 (0.25") Tip Length (Total Length 254mm, 10.0") (90deg Tip Shank)	4.45
PS500PR064-305N	500kHz	6.4 (0.25") Tip Length (Total Length 305mm, 12.0") (90deg Tip Shank)	4.45
PS500PR127-114N	500kHz	12.7 (0.5") Tip Length (Total Length 114mm, 4.5") (90deg Tip Shank)	4.45
PS500PR127-152N	500kHz	12.7 (0.5") Tip Length (Total Length 152mm, 6.0") (90deg Tip Shank)	4.45
PS500PR127-203N	500kHz	12.7 (0.5") Tip Length (Total Length 203mm, 8.0") (90deg Tip Shank)	4.45
PS500PR127-254N	500kHz	12.7 (0.5") Tip Length (Total Length 254mm, 10.0") (90deg Tip Shank)	4.45
PS500PR127-305N	500kHz	12.7 (0.5") Tip Length (Total Length 305mm, 12.0") (90deg Tip Shank)	4.45
PS500PR190-114N	500kHz	19.0 (0.75") Tip Length (Total Length 114mm, 4.5") (90deg Tip Shank)	4.45
PS500PR190-152N	500kHz	19.0 (0.75") Tip Length (Total Length 152mm, 6.0") (90deg Tip Shank)	4.45
PS500PR190-203N	500kHz	19.0 (0.75") Tip Length (Total Length 203mm, 8.0") (90deg Tip Shank)	4.45
PS500PR190-254N	500kHz	19.0 (0.75") Tip Length (Total Length 254mm, 10.0") (90deg Tip Shank)	4.45
PS500PR190-305N	500kHz	19.0 (0.75") Tip Length (Total Length 305mm, 12.0") (90deg Tip Shank)	4.45
PS500PR254-114N	500kHz	25.4 (1") Tip Length (Total Length 114mm, 4.5") (90deg Tip Shank)	4.45
PS500PR254-152N	500kHz	25.4 (1") Tip Length (Total Length 152mm, 6.0") (90deg Tip Shank)	4.45
PS500PR190-203N	500kHz	25.4 (1") Tip Length (Total Length 203mm, 8.0") (90deg Tip Shank)	4.45
PS500PR190-254N	500kHz	25.4 (1") Tip Length (Total Length 254mm, 10.0") (90deg Tip Shank)	4.45
PS500PR190-305N	500kHz	25.4 (1") Tip Length (Total Length 305mm, 12.0") (90deg Tip Shank)	4.45
PS500PRO27-114F	500kHz	2.7 (MIN) Tip Length (Total Length 114mm, 4.5") (90deg Tip Shank)	3.30 (Fine)
PS500PRO27-152F	500kHz	2.7 (MIN) Tip Length (Total Length 152mm, 6.0") (90deg Tip Shank)	3.30 (Fine)
PS500PRO27-203F	500kHz	2.7 (MIN) Tip Length (Total Length 203mm, 8.0") (90deg Tip Shank)	3.30 (Fine)
PS500PRO27-254F	500kHz	2.7 (MIN) Tip Length (Total Length 254mm, 10.0") (90deg Tip Shank)	3.30 (Fine)
PS500PRO27-305F	500kHz	2.7 (MIN) Tip Length (Total Length 305mm, 12.0") (90deg Tip Shank)	3.30 (Fine)
PS500PR064-114F	500kHz	6.4 (0.25") Tip Length (Total Length 114mm, 4.5") (90deg Tip Shank)	3.30 (Fine)
PS500PR064-152F	500kHz	6.4 (0.25") Tip Length (Total Length 152mm, 6.0") (90deg Tip Shank)	3.30 (Fine)
PS500PR064-203F	500kHz	6.4 (0.25") Tip Length (Total Length 203mm, 8.0") (90deg Tip Shank)	3.30 (Fine)
PS500PR064-254F	500kHz	6.4 (0.25") Tip Length (Total Length 254mm, 10.0") (90deg Tip Shank)	3.30 (Fine)
PS500PR064-305F	500kHz	6.4 (0.25") Tip Length (Total Length 305mm, 12.0") (90deg Tip Shank)	3.30 (Fine)
PS500PR127-114F	500kHz	12.7 (0.5") Tip Length (Total Length 114mm, 4.5") (90deg Tip Shank)	3.30 (Fine)
PS500PR127-152F	500kHz	12.7 (0.5") Tip Length (Total Length 152mm, 6.0") (90deg Tip Shank)	3.30 (Fine)
PS500PR127-203F	500kHz	12.7 (0.5") Tip Length (Total Length 203mm, 8.0") (90deg Tip Shank)	3.30 (Fine)
PS500PR127-254F	500kHz	12.7 (0.5") Tip Length (Total Length 254mm, 10.0") (90deg Tip Shank)	3.30 (Fine)
PS500PR127-305F	500kHz	12.7 (0.5") Tip Length (Total Length 305mm, 12.0") (90deg Tip Shank)	3.30 (Fine)
PS500PR190-114F	500kHz	19.0 (0.75") Tip Length (Total Length 114mm, 4.5") (90deg Tip Shank)	3.30 (Fine)
PS500PR190-152F	500kHz	19.0 (0.75") Tip Length (Total Length 152mm, 6.0") (90deg Tip Shank)	3.30 (Fine)
PS500PR190-203F	500kHz	19.0 (0.75") Tip Length (Total Length 203mm, 8.0") (90deg Tip Shank)	3.30 (Fine)
PS500PR190-254F	500kHz	19.0 (0.75") Tip Length (Total Length 254mm, 10.0") (90deg Tip Shank)	3.30 (Fine)
PS500PR190-305F	500kHz	19.0 (0.75") Tip Length (Total Length 305mm, 12.0") (90deg Tip Shank)	3.30 (Fine)
PS500PR254-114F	500kHz	25.4 (1") Tip Length (Total Length 114mm, 4.5") (90deg Tip Shank)	3.30 (Fine)
PS500PR254-152F	500kHz	25.4 (1") Tip Length (Total Length 152mm, 6.0") (90deg Tip Shank)	3.30 (Fine)
PS500PR190-203F	500kHz	25.4 (1") Tip Length (Total Length 203mm, 8.0") (90deg Tip Shank)	3.30 (Fine)
PS500PR190-254F	500kHz	25.4 (1") Tip Length (Total Length 254mm, 10.0") (90deg Tip Shank)	3.30 (Fine)
PS500PR190-305F	500kHz	25.4 (1") Tip Length (Total Length 305mm, 12.0") (90deg Tip Shank)	3.30 (Fine)
PS002PRO27-114N	2MHz	2.7 (MIN) Tip Length (Total Length 114mm, 4.5") (90deg Tip Shank)	3.30
PS002PRO27-152N	2MHz	2.7 (MIN) Tip Length (Total Length 152mm, 6.0") (90deg Tip Shank)	3.30

ETHer NDE Part No.	Centre Frequency	Tip Length (Total Length)	(Tip
Probe, Shielded, Plastic Handle, Right angles 90deg Tip:			
PS002PR027-203N	2MHz	2.7 (MIN) Tip Length (Total Length 203mm, 8.0") (90deg Tip Shank)	3.30
PS002PR027-254N	2MHz	2.7(MIN) Tip Length (Total Length 254mm, 10.0") (90deg Tip Shank)	3.30
PS002PR027-305N	2MHz	2.7 (MIN) Tip Length (Total Length 305mm, 12.0") (90deg Tip Shank)	3.30
PS002PR064-114N	2MHz	6.4 (0.25") Tip Length (Total Length 114mm, 4.5") (90deg Tip Shank)	3.30
PS002PR064-152N	2MHz	6.4 (0.25") Tip Length (Total Length 152mm, 6.0") (90deg Tip Shank)	3.30
PS002PR064-203N	2MHz	6.4 (0.25") Tip Length (Total Length 203mm, 8.0") (90deg Tip Shank)	3.30
PS002PR064-254N	2MHz	6.4 (0.25") Tip Length (Total Length 254mm, 10.0") (90deg Tip Shank)	3.30
PS002PR064-305N	2MHz	6.4 (0.25") Tip Length (Total Length 305mm, 12.0") (90deg Tip Shank)	3.30
PS002PR127-114N	2MHz	12.7 (0.5") Tip Length (Total Length 114mm, 4.5") (90deg Tip Shank)	3.30
PS002PR127-152N	2MHz	12.7 (0.5") Tip Length (Total Length 152mm, 6.0") (90deg Tip Shank)	3.30
PS002PR127-203N	2MHz	12.7 (0.5") Tip Length (Total Length 203mm, 8.0") (90deg Tip Shank)	3.30
PS002PR127-254N	2MHz	12.7 (0.5") Tip Length (Total Length 254mm, 10.0") (90deg Tip Shank)	3.30
PS002PR127-305N	2MHz	12.7 (0.5") Tip Length (Total Length 305mm, 12.0") (90deg Tip Shank)	3.30
PS002PR190-114N	2MHz	19.0 (0.75") Tip Length (Total Length 114mm, 4.5") (90deg Tip Shank)	3.30
PS002PR190-152N	2MHz	19.0 (0.75") Tip Length (Total Length 152mm, 6.0") (90deg Tip Shank)	3.30
PS002PR190-203N	2MHz	19.0 (0.75") Tip Length (Total Length 203mm, 8.0") (90deg Tip Shank)	3.30
PS002PR190-254N	2MHz	19.0 (0.75") Tip Length (Total Length 254mm, 10.0") (90deg Tip Shank)	3.30
PS002PR190-305N	2MHz	19.0 (0.75") Tip Length (Total Length 305mm, 12.0") (90deg Tip Shank)	3.30
PS002PR254-114N	2MHz	25.4 (1") Tip Length (Total Length 114mm, 4.5") (90deg Tip Shank)	3.30
PS002PR254-152N	2MHz	25.4 (1") Tip Length (Total Length 152mm, 6.0") (90deg Tip Shank)	3.30
PS002PR190-203N	2MHz	25.4 (1") Tip Length (Total Length 203mm, 8.0") (90deg Tip Shank)	3.30
PS002PR190-254N	2MHz	25.4 (1") Tip Length (Total Length 254mm, 10.0") (90deg Tip Shank)	3.30
PS002PR190-305N	2MHz	25.4 (1") Tip Length (Total Length 305mm, 12.0") (90deg Tip Shank)	3.30
PS002PR017-114F	2MHz	1.7 (MIN) Tip Length (Total Length 114mm, 4.5") (90deg Tip Shank)	2.34 (Fine)
PS002PR017-152F	2MHz	1.7 (MIN) Tip Length (Total Length 152mm, 6.0") (90deg Tip Shank)	2.34 (Fine)
PS002PR017-203F	2MHz	1.7 (MIN) Tip Length (Total Length 203mm, 8.0") (90deg Tip Shank)	2.34 (Fine)
PS002PR017-254F	2MHz	1.7 (MIN) Tip Length (Total Length 254mm, 10.0") (90deg Tip Shank)	2.34 (Fine)
PS002PR017-305F	2MHz	1.7 (MIN) Tip Length (Total Length 305mm, 12.0") (90deg Tip Shank)	2.34 (Fine)
PS002PR064-114F	2MHz	6.4 (0.25") Tip Length (Total Length 114mm, 4.5") (90deg Tip Shank)	2.34 (Fine)
PS002PR064-152F	2MHz	6.4 (0.25") Tip Length (Total Length 152mm, 6.0") (90deg Tip Shank)	2.34 (Fine)
PS002PR064-203F	2MHz	6.4 (0.25") Tip Length (Total Length 203mm, 8.0") (90deg Tip Shank)	2.34 (Fine)
PS002PR064-254F	2MHz	6.4 (0.25") Tip Length (Total Length 254mm, 10.0") (90deg Tip Shank)	2.34 (Fine)
PS002PR064-305F	2MHz	6.4 (0.25") Tip Length (Total Length 305mm, 12.0") (90deg Tip Shank)	2.34 (Fine)
PS002PR127-114F	2MHz	12.7 (0.5") Tip Length (Total Length 114mm, 4.5") (90deg Tip Shank)	2.34 (Fine)
PS002PR127-152F	2MHz	12.7 (0.5") Tip Length (Total Length 152mm, 6.0") (90deg Tip Shank)	2.34 (Fine)
PS002PR127-203F	2MHz	12.7 (0.5") Tip Length (Total Length 203mm, 8.0") (90deg Tip Shank)	2.34 (Fine)
PS002PR127-254F	2MHz	12.7 (0.5") Tip Length (Total Length 254mm, 10.0") (90deg Tip Shank)	2.34 (Fine)
PS002PR127-305F	2MHz	12.7 (0.5") Tip Length (Total Length 305mm, 12.0") (90deg Tip Shank)	2.34 (Fine)
PS002PR190-114F	2MHz	19.0 (0.75") Tip Length (Total Length 114mm, 4.5") (90deg Tip Shank)	2.34 (Fine)
PS002PR190-152F	2MHz	19.0 (0.75") Tip Length (Total Length 152mm, 6.0") (90deg Tip Shank)	2.34 (Fine)
PS002PR190-203F	2MHz	19.0 (0.75") Tip Length (Total Length 203mm, 8.0") (90deg Tip Shank)	2.34 (Fine)
PS002PR190-254F	2MHz	19.0 (0.75") Tip Length (Total Length 254mm, 10.0") (90deg Tip Shank)	2.34 (Fine)
PS002PR190-305F	2MHz	19.0 (0.75") Tip Length (Total Length 305mm, 12.0") (90deg Tip Shank)	2.34 (Fine)
PS002PR254-114F	2MHz	25.4 (1") Tip Length (Total Length 114mm, 4.5") (90deg Tip Shank)	2.34 (Fine)
PS002PR254-152F	2MHz	25.4 (1") Tip Length (Total Length 152mm, 6.0") (90deg Tip Shank)	2.34 (Fine)
PS002PR190-203F	2MHz	25.4 (1") Tip Length (Total Length 203mm, 8.0") (90deg Tip Shank)	2.34 (Fine)
PS002PR190-254F	2MHz	25.4 (1") Tip Length (Total Length 254mm, 10.0") (90deg Tip Shank)	2.34 (Fine)
PS002PR190-305F	2MHz	25.4 (1") Tip Length (Total Length 305mm, 12.0") (90deg Tip Shank)	2.34 (Fine)
PS006PR017-114N	6MHz	1.7 (MIN) Tip Length (Total Length 114mm, 4.5") (90deg Tip Shank)	2.34
PS006PR017-152N	6MHz	1.7 (MIN) Tip Length (Total Length 152mm, 6.0") (90deg Tip Shank)	2.34
PS006PR017-203N	6MHz	1.7 (MIN) Tip Length (Total Length 203mm, 8.0") (90deg Tip Shank)	2.34
PS006PR017-254N	6MHz	1.7 (MIN) Tip Length (Total Length 254mm, 10.0") (90deg Tip Shank)	2.34
PS006PR017-305N	6MHz	1.7 (MIN) Tip Length (Total Length 305mm, 12.0") (90deg Tip Shank)	2.34
PS006PR064-114N	6MHz	6.4 (0.25") Tip Length (Total Length 114mm, 4.5") (90deg Tip Shank)	2.34
PS006PR064-152N	6MHz	6.4 (0.25") Tip Length (Total Length 152mm, 6.0") (90deg Tip Shank)	2.34
PS006PR064-203N	6MHz	6.4 (0.25") Tip Length (Total Length 203mm, 8.0") (90deg Tip Shank)	2.34

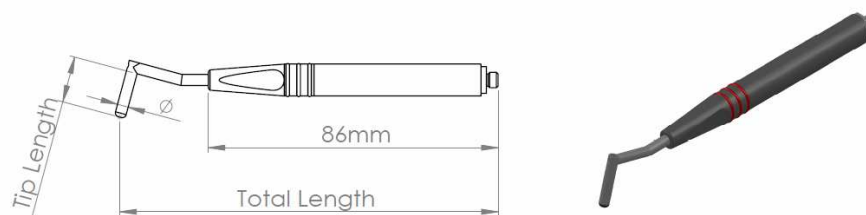
ETHer NDE Part No.	Centre Frequency	Tip Length (Total Length)	(Tip)
Probe, Shielded, Plastic Handle, Right angles 90deg Tip:			
PS006PR064-254N	6MHz	6.4 (0.25") Tip Length (Total Length 254mm, 10.0") (90deg Tip Shank)	2.34
PS006PR064-305N	6MHz	6.4 (0.25") Tip Length (Total Length 305mm, 12.0") (90deg Tip Shank)	2.34
PS006PR127-114N	6MHz	12.7 (0.5") Tip Length (Total Length 114mm, 4.5") (90deg Tip Shank)	2.34
PS006PR127-152N	6MHz	12.7 (0.5") Tip Length (Total Length 152mm, 6.0") (90deg Tip Shank)	2.34
PS006PR127-203N	6MHz	12.7 (0.5") Tip Length (Total Length 203mm, 8.0") (90deg Tip Shank)	2.34
PS006PR127-254N	6MHz	12.7 (0.5") Tip Length (Total Length 254mm, 10.0") (90deg Tip Shank)	2.34
PS006PR127-305N	6MHz	12.7 (0.5") Tip Length (Total Length 305mm, 12.0") (90deg Tip Shank)	2.34
PS006PR190-114N	6MHz	19.0 (0.75") Tip Length (Total Length 114mm, 4.5") (90deg Tip Shank)	2.34
PS006PR190-152N	6MHz	19.0 (0.75") Tip Length (Total Length 152mm, 6.0") (90deg Tip Shank)	2.34
PS006PR190-203N	6MHz	19.0 (0.75") Tip Length (Total Length 203mm, 8.0") (90deg Tip Shank)	2.34
PS006PR190-254N	6MHz	19.0 (0.75") Tip Length (Total Length 254mm, 10.0") (90deg Tip Shank)	2.34
PS006PR190-305N	6MHz	19.0 (0.75") Tip Length (Total Length 305mm, 12.0") (90deg Tip Shank)	2.34
PS006PR254-114N	6MHz	25.4 (1") Tip Length (Total Length 114mm, 4.5") (90deg Tip Shank)	2.34
PS006PR254-152N	6MHz	25.4 (1") Tip Length (Total Length 152mm, 6.0") (90deg Tip Shank)	2.34
PS006PR190-203N	6MHz	25.4 (1") Tip Length (Total Length 203mm, 8.0") (90deg Tip Shank)	2.34
PS006PR190-254N	6MHz	25.4 (1") Tip Length (Total Length 254mm, 10.0") (90deg Tip Shank)	2.34
PS006PR190-305N	6MHz	25.4 (1") Tip Length (Total Length 305mm, 12.0") (90deg Tip Shank)	2.34
Other options available on request.			

45deg Crank with plastic handle coding:



ETHer NDE Part No.	Centre Frequency	Tip Length (Total Length)	ØTip
Probe, Shielded, Plastic Handle, Crank:			
PS200PC195-114N	200kHz	19.5 (0.75") Tip Length (Total Length 114mm, 4.5") (45deg Crank Shank)	4.45
PS200PC195-152N	200kHz	19.5 (0.75") Tip Length (Total Length 152mm, 6.0") (45deg Crank Shank)	4.45
PS200PC195-203N	200kHz	19.5 (0.75") Tip Length (Total Length 203mm, 8.0") (45deg Crank Shank)	4.45
PS200PC195-254N	200kHz	19.5 (0.75") Tip Length (Total Length 254mm, 10.0") (45deg Crank Shank)	4.45
PS200PC195-305N	200kHz	19.5 (0.75") Tip Length (Total Length 305mm, 12.0") (45deg Crank Shank)	4.45
PS200PC195-114F	200kHz	19.5 (0.75") Tip Length (Total Length 114mm, 4.5") (45deg Crank Shank)	3.30 (Fine)
PS200PC195-152F	200kHz	19.5 (0.75") Tip Length (Total Length 152mm, 6.0") (45deg Crank Shank)	3.30 (Fine)
PS200PC195-203F	200kHz	19.5 (0.75") Tip Length (Total Length 203mm, 8.0") (45deg Crank Shank)	3.30 (Fine)
PS200PC195-254F	200kHz	19.5 (0.75") Tip Length (Total Length 254mm, 10.0") (45deg Crank Shank)	3.30 (Fine)
PS200PC195-305F	200kHz	19.5 (0.75") Tip Length (Total Length 305mm, 12.0") (45deg Crank Shank)	3.30 (Fine)
PS500PC195-114N	500kHz	19.5 (0.75") Tip Length (Total Length 114mm, 4.5") (45deg Crank Shank)	4.45
PS500PC195-152N	500kHz	19.5 (0.75") Tip Length (Total Length 152mm, 6.0") (45deg Crank Shank)	4.45
PS500PC195-203N	500kHz	19.5 (0.75") Tip Length (Total Length 203mm, 8.0") (45deg Crank Shank)	4.45
PS500PC195-254N	500kHz	19.5 (0.75") Tip Length (Total Length 254mm, 10.0") (45deg Crank Shank)	4.45
PS500PC195-305N	500kHz	19.5 (0.75") Tip Length (Total Length 305mm, 12.0") (45deg Crank Shank)	4.45
PS500PC195-114F	500kHz	19.5 (0.75") Tip Length (Total Length 114mm, 4.5") (45deg Crank Shank)	3.30 (Fine)
PS500PC195-152F	500kHz	19.5 (0.75") Tip Length (Total Length 152mm, 6.0") (45deg Crank Shank)	3.30 (Fine)
PS500PC195-203F	500kHz	19.5 (0.75") Tip Length (Total Length 203mm, 8.0") (45deg Crank Shank)	3.30 (Fine)
PS500PC195-254F	500kHz	19.5 (0.75") Tip Length (Total Length 254mm, 10.0") (45deg Crank Shank)	3.30 (Fine)
PS500PC195-305F	500kHz	19.5 (0.75") Tip Length (Total Length 305mm, 12.0") (45deg Crank Shank)	3.30 (Fine)
PS002PC195-114N	2MHz	19.5 (0.75") Tip Length (Total Length 114mm, 4.5") (45deg Crank Shank)	3.30
PS002PC195-152N	2MHz	19.5 (0.75") Tip Length (Total Length 152mm, 6.0") (45deg Crank Shank)	3.30
PS002PC195-203N	2MHz	19.5 (0.75") Tip Length (Total Length 203mm, 8.0") (45deg Crank Shank)	3.30
PS002PC195-254N	2MHz	19.5 (0.75") Tip Length (Total Length 254mm, 10.0") (45deg Crank Shank)	3.30
PS002PC195-305N	2MHz	19.5 (0.75") Tip Length (Total Length 305mm, 12.0") (45deg Crank Shank)	3.30
PS002PC195-114F	2MHz	19.5 (0.75") Tip Length (Total Length 114mm, 4.5") (45deg Crank Shank)	2.34 (Fine)
PS002PC195-152F	2MHz	19.5 (0.75") Tip Length (Total Length 152mm, 6.0") (45deg Crank Shank)	2.34 (Fine)
PS002PC195-203F	2MHz	19.5 (0.75") Tip Length (Total Length 203mm, 8.0") (45deg Crank Shank)	2.34 (Fine)
PS002PC195-254F	2MHz	19.5 (0.75") Tip Length (Total Length 254mm, 10.0") (45deg Crank Shank)	2.34 (Fine)
PS002PC195-305F	2MHz	19.5 (0.75") Tip Length (Total Length 305mm, 12.0") (45deg Crank Shank)	2.34 (Fine)
PS006PC195-114N	6MHz	19.5 (0.75") Tip Length (Total Length 114mm, 4.5") (45deg Crank Shank)	2.34
PS006PC195-152N	6MHz	19.5 (0.75") Tip Length (Total Length 152mm, 6.0") (45deg Crank Shank)	2.34
PS006PC195-203N	6MHz	19.5 (0.75") Tip Length (Total Length 203mm, 8.0") (45deg Crank Shank)	2.34
PS006PC195-254N	6MHz	19.5 (0.75") Tip Length (Total Length 254mm, 10.0") (45deg Crank Shank)	2.34
PS006PC195-305N	6MHz	19.5 (0.75") Tip Length (Total Length 305mm, 12.0") (45deg Crank Shank)	2.34
Other options available on request.			

15deg Crank, 90deg Tip with plastic handle coding:



ETHer NDE Part No.	Centre Frequency	Tip Length (Total Length)	ØTip
Probe, Shielded, Plastic Handle, Double crank			
PS200PD050-114N	200kHz	5.0 (MIN) Tip Length (Total Length 114mm, 4.5") (15deg Crank, 90deg tip Shank)	4.45
PS200PD050-152N	200kHz	5.0 (MIN) Tip Length (Total Length 152mm, 6.0") (15deg Crank, 90deg tip Shank)	4.45
PS200PD050-203N	200kHz	5.0 (MIN) Tip Length (Total Length 203mm, 8.0") (15deg Crank, 90deg tip Shank)	4.45
PS200PD064-114N	200kHz	6.4 (0.25") Tip Length (Total Length 114mm, 4.5") (15deg Crank, 90deg tip Shank)	4.45
PS200PD064-152N	200kHz	6.4 (0.25") Tip Length (Total Length 152mm, 6.0") (15deg Crank, 90deg tip Shank)	4.45
PS200PD064-203N	200kHz	6.4 (0.25") Tip Length (Total Length 203mm, 8.0") (15deg Crank, 90deg tip Shank)	4.45
PS200PD127-114N	200kHz	12.7 (0.5") Tip Length (Total Length 114mm, 4.5") (15deg Crank, 90deg tip Shank)	4.45
PS200PD127-152N	200kHz	12.7 (0.5") Tip Length (Total Length 152mm, 6.0") (15deg Crank, 90deg tip Shank)	4.45
PS200PD127-203N	200kHz	12.7 (0.5") Tip Length (Total Length 203mm, 8.0") (15deg Crank, 90deg tip Shank)	4.45
PS200PD190-114N	200kHz	19.0 (0.75") Tip Length (Total Length 114mm, 4.5") (15deg Crank, 90deg tip Shank)	4.45
PS200PD190-152N	200kHz	19.0 (0.75") Tip Length (Total Length 152mm, 6.0") (15deg Crank, 90deg tip Shank)	4.45
PS200PD190-203N	200kHz	19.0 (0.75") Tip Length (Total Length 203mm, 8.0") (15deg Crank, 90deg tip Shank)	4.45
PS200PD254-114N	200kHz	25.4 (1") Tip Length (Total Length 114mm, 4.5") (15deg Crank, 90deg tip Shank)	4.45
PS200PD254-152N	200kHz	25.4 (1") Tip Length (Total Length 152mm, 6.0") (15deg Crank, 90deg tip Shank)	4.45
PS200PD190-203N	200kHz	25.4 (1") Tip Length (Total Length 203mm, 8.0") (15deg Crank, 90deg tip Shank)	4.45
PS200PD027-114F	200kHz	2.7 (MIN) Tip Length (Total Length 114mm, 4.5") (15deg Crank, 90deg tip Shank)	3.30 (Fine)
PS200PD027-152F	200kHz	2.7 (MIN) Tip Length (Total Length 152mm, 6.0") (15deg Crank, 90deg tip Shank)	3.30 (Fine)
PS200PD027-203F	200kHz	2.7 (MIN) Tip Length (Total Length 203mm, 8.0") (15deg Crank, 90deg tip Shank)	3.30 (Fine)
PS200PD064-114F	200kHz	6.4 (0.25") Tip Length (Total Length 114mm, 4.5") (15deg Crank, 90deg tip Shank)	3.30 (Fine)
PS200PD064-152F	200kHz	6.4 (0.25") Tip Length (Total Length 152mm, 6.0") (15deg Crank, 90deg tip Shank)	3.30 (Fine)
PS200PD064-203F	200kHz	6.4 (0.25") Tip Length (Total Length 203mm, 8.0") (15deg Crank, 90deg tip Shank)	3.30 (Fine)
PS200PD127-114F	200kHz	12.7 (0.5") Tip Length (Total Length 114mm, 4.5") (15deg Crank, 90deg tip Shank)	3.30 (Fine)
PS200PD127-152F	200kHz	12.7 (0.5") Tip Length (Total Length 152mm, 6.0") (15deg Crank, 90deg tip Shank)	3.30 (Fine)
PS200PD127-203F	200kHz	12.7 (0.5") Tip Length (Total Length 203mm, 8.0") (15deg Crank, 90deg tip Shank)	3.30 (Fine)
PS200PD190-114F	200kHz	19.0 (0.75") Tip Length (Total Length 114mm, 4.5") (15deg Crank, 90deg tip Shank)	3.30 (Fine)
PS200PD190-152F	200kHz	19.0 (0.75") Tip Length (Total Length 152mm, 6.0") (15deg Crank, 90deg tip Shank)	3.30 (Fine)
PS200PD190-203F	200kHz	19.0 (0.75") Tip Length (Total Length 203mm, 8.0") (15deg Crank, 90deg tip Shank)	3.30 (Fine)
PS200PD254-114F	200kHz	25.4 (1") Tip Length (Total Length 114mm, 4.5") (15deg Crank, 90deg tip Shank)	3.30 (Fine)
PS200PD254-152F	200kHz	25.4 (1") Tip Length (Total Length 152mm, 6.0") (15deg Crank, 90deg tip Shank)	3.30 (Fine)
PS200PD190-203F	200kHz	25.4 (1") Tip Length (Total Length 203mm, 8.0") (15deg Crank, 90deg tip Shank)	3.30 (Fine)

ETHer NDE Part No.	Centre Frequency	Tip Length (Total Length)	ØTip
Probe, Shielded, Plastic Handle, Double crank			
PS500PD050-114N	500kHz	5.0 (MIN) Tip Length (Total Length 114mm, 4.5") (15deg Crank, 90deg tip Shank)	4.45
PS500PD050-152N	500kHz	5.0 (MIN) Tip Length (Total Length 152mm, 6.0") (15deg Crank, 90deg tip Shank)	4.45
PS500PD050-203N	500kHz	5.0 (MIN)Tip Length (Total Length 203mm, 8.0") (15deg Crank, 90deg tip Shank)	4.45
PS500PD064-114N	500kHz	6.4 (0.25") Tip Length (Total Length 114mm, 4.5") (15deg Crank, 90deg tip Shank)	4.45
PS500PD064-152N	500kHz	6.4 (0.25") Tip Length (Total Length 152mm, 6.0") (15deg Crank, 90deg tip Shank)	4.45
PS500PD064-203N	500kHz	6.4 (0.25") Tip Length (Total Length 203mm, 8.0") (15deg Crank, 90deg tip Shank)	4.45
PS500PD127-114N	500kHz	12.7 (0.5") Tip Length (Total Length 114mm, 4.5") (15deg Crank, 90deg tip Shank)	4.45
PS500PD127-152N	500kHz	12.7 (0.5") Tip Length (Total Length 152mm, 6.0") (15deg Crank, 90deg tip Shank)	4.45
PS500PD127-203N	500kHz	12.7 (0.5") Tip Length (Total Length 203mm, 8.0") (15deg Crank, 90deg tip Shank)	4.45
PS500PD190-114N	500kHz	19.0 (0.75") Tip Length (Total Length 114mm, 4.5") (15deg Crank, 90deg tip Shank)	4.45
PS500PD190-152N	500kHz	19.0 (0.75") Tip Length (Total Length 152mm, 6.0") (15deg Crank, 90deg tip Shank)	4.45
PS500PD190-203N	500kHz	19.0 (0.75") Tip Length (Total Length 203mm, 8.0") (15deg Crank, 90deg tip Shank)	4.45
PS500PD254-114N	500kHz	25.4 (1") Tip Length (Total Length 114mm, 4.5") (15deg Crank, 90deg tip Shank)	4.45
PS500PD254-152N	500kHz	25.4 (1") Tip Length (Total Length 152mm, 6.0") (15deg Crank, 90deg tip Shank)	4.45
PS500PD190-203N	500kHz	25.4 (1") Tip Length (Total Length 203mm, 8.0") (15deg Crank, 90deg tip Shank)	4.45
PS500PD027-114F	500kHz	2.7 (MIN) Tip Length (Total Length 114mm, 4.5") (15deg Crank, 90deg tip Shank)	3.30 (Fine)
PS500PD027-152F	500kHz	2.7 (MIN) Tip Length (Total Length 152mm, 6.0") (15deg Crank, 90deg tip Shank)	3.30 (Fine)
PS500PD027-203F	500kHz	2.7 (MIN)Tip Length (Total Length 203mm, 8.0") (15deg Crank, 90deg tip Shank)	3.30 (Fine)
PS500PD064-114F	500kHz	6.4 (0.25") Tip Length (Total Length 114mm, 4.5") (15deg Crank, 90deg tip Shank)	3.30 (Fine)
PS500PD064-152F	500kHz	6.4 (0.25") Tip Length (Total Length 152mm, 6.0") (15deg Crank, 90deg tip Shank)	3.30 (Fine)
PS500PD064-203F	500kHz	6.4 (0.25") Tip Length (Total Length 203mm, 8.0") (15deg Crank, 90deg tip Shank)	3.30 (Fine)
PS500PD127-114F	500kHz	12.7 (0.5") Tip Length (Total Length 114mm, 4.5") (15deg Crank, 90deg tip Shank)	3.30 (Fine)
PS500PD127-152F	500kHz	12.7 (0.5") Tip Length (Total Length 152mm, 6.0") (15deg Crank, 90deg tip Shank)	3.30 (Fine)
PS500PD127-203F	500kHz	12.7 (0.5") Tip Length (Total Length 203mm, 8.0") (15deg Crank, 90deg tip Shank)	3.30 (Fine)
PS500PD190-114F	500kHz	19.0 (0.75") Tip Length (Total Length 114mm, 4.5") (15deg Crank, 90deg tip Shank)	3.30 (Fine)
PS500PD190-152F	500kHz	19.0 (0.75") Tip Length (Total Length 152mm, 6.0") (15deg Crank, 90deg tip Shank)	3.30 (Fine)
PS500PD190-203F	500kHz	19.0 (0.75") Tip Length (Total Length 203mm, 8.0") (15deg Crank, 90deg tip Shank)	3.30 (Fine)
PS500PD254-114F	500kHz	25.4 (1") Tip Length (Total Length 114mm, 4.5") (15deg Crank, 90deg tip Shank)	3.30 (Fine)
PS500PD254-152F	500kHz	25.4 (1") Tip Length (Total Length 152mm, 6.0") (15deg Crank, 90deg tip Shank)	3.30 (Fine)
PS500PD190-203F	500kHz	25.4 (1") Tip Length (Total Length 203mm, 8.0") (15deg Crank, 90deg tip Shank)	3.30 (Fine)
PS002PD027-114N	2MHz	2.7 (MIN) Tip Length (Total Length 114mm, 4.5") (15deg Crank, 90deg tip Shank)	3.30
PS002PD027-152N	2MHz	2.7 (MIN) Tip Length (Total Length 152mm, 6.0") (15deg Crank, 90deg tip Shank)	3.30
PS002PD027-203N	2MHz	2.7 (MIN)Tip Length (Total Length 203mm, 8.0") (15deg Crank, 90deg tip Shank)	3.30
PS002PD064-114N	2MHz	6.4 (0.25") Tip Length (Total Length 114mm, 4.5") (15deg Crank, 90deg tip Shank)	3.30
PS002PD064-152N	2MHz	6.4 (0.25") Tip Length (Total Length 152mm, 6.0") (15deg Crank, 90deg tip Shank)	3.30
PS002PD064-203N	2MHz	6.4 (0.25") Tip Length (Total Length 203mm, 8.0") (15deg Crank, 90deg tip Shank)	3.30
PS002PD127-114N	2MHz	12.7 (0.5") Tip Length (Total Length 114mm, 4.5") (15deg Crank, 90deg tip Shank)	3.30

ETHer NDE Part No.	Centre Frequency	Tip Length (Total Length)	ØTip
Probe, Shielded, Plastic Handle, Double crank			
PS002PD127-152N	2MHz	12.7 (0.5") Tip Length (Total Length 152mm, 6.0") (15deg Crank, 90deg tip Shank)	3.30
PS002PD127-203N	2MHz	12.7 (0.5") Tip Length (Total Length 203mm, 8.0") (15deg Crank, 90deg tip Shank)	3.30
PS002PD190-114N	2MHz	19.0 (0.75") Tip Length (Total Length 114mm, 4.5") (15deg Crank, 90deg tip Shank)	3.30
PS002PD190-152N	2MHz	19.0 (0.75") Tip Length (Total Length 152mm, 6.0") (15deg Crank, 90deg tip Shank)	3.30
PS002PD190-203N	2MHz	19.0 (0.75") Tip Length (Total Length 203mm, 8.0") (15deg Crank, 90deg tip Shank)	3.30
PS002PD254-114N	2MHz	25.4 (1") Tip Length (Total Length 114mm, 4.5") (15deg Crank, 90deg tip Shank)	3.30
PS002PD254-152N	2MHz	25.4 (1") Tip Length (Total Length 152mm, 6.0") (15deg Crank, 90deg tip Shank)	3.30
PS002PD190-203N	2MHz	25.4 (1") Tip Length (Total Length 203mm, 8.0") (15deg Crank, 90deg tip Shank)	3.30
PS002PD017-114F	2MHz	1.7 (MIN) Tip Length (Total Length 114mm, 4.5") (15deg Crank, 90deg tip Shank)	2.34 (Fine)
PS002PD017-152F	2MHz	1.7 (MIN) Tip Length (Total Length 152mm, 6.0") (15deg Crank, 90deg tip Shank)	2.34 (Fine)
PS002PD017-203F	2MHz	1.7 (MIN) Tip Length (Total Length 203mm, 8.0") (15deg Crank, 90deg tip Shank)	2.34 (Fine)
PS002PD064-114F	2MHz	6.4 (0.25") Tip Length (Total Length 114mm, 4.5") (15deg Crank, 90deg tip Shank)	2.34 (Fine)
PS002PD064-152F	2MHz	6.4 (0.25") Tip Length (Total Length 152mm, 6.0") (15deg Crank, 90deg tip Shank)	2.34 (Fine)
PS002PD064-203F	2MHz	6.4 (0.25") Tip Length (Total Length 203mm, 8.0") (15deg Crank, 90deg tip Shank)	2.34 (Fine)
PS002PD127-114F	2MHz	12.7 (0.5") Tip Length (Total Length 114mm, 4.5") (15deg Crank, 90deg tip Shank)	2.34 (Fine)
PS002PD127-152F	2MHz	12.7 (0.5") Tip Length (Total Length 152mm, 6.0") (15deg Crank, 90deg tip Shank)	2.34 (Fine)
PS002PD127-203F	2MHz	12.7 (0.5") Tip Length (Total Length 203mm, 8.0") (15deg Crank, 90deg tip Shank)	2.34 (Fine)
PS002PD190-114F	2MHz	19.0 (0.75") Tip Length (Total Length 114mm, 4.5") (15deg Crank, 90deg tip Shank)	2.34 (Fine)
PS002PD190-152F	2MHz	19.0 (0.75") Tip Length (Total Length 152mm, 6.0") (15deg Crank, 90deg tip Shank)	2.34 (Fine)
PS002PD190-203F	2MHz	19.0 (0.75") Tip Length (Total Length 203mm, 8.0") (15deg Crank, 90deg tip Shank)	2.34 (Fine)
PS002PD254-114F	2MHz	25.4 (1") Tip Length (Total Length 114mm, 4.5") (15deg Crank, 90deg tip Shank)	2.34 (Fine)
PS002PD254-152F	2MHz	25.4 (1") Tip Length (Total Length 152mm, 6.0") (15deg Crank, 90deg tip Shank)	2.34 (Fine)
PS002PD190-203F	2MHz	25.4 (1") Tip Length (Total Length 203mm, 8.0") (15deg Crank, 90deg tip Shank)	2.34 (Fine)
PS006PD017-114N	6MHz	1.7 (MIN) Tip Length (Total Length 114mm, 4.5") (15deg Crank, 90deg tip Shank)	2.34
PS006PD017-152N	6MHz	1.7 (MIN) Tip Length (Total Length 152mm, 6.0") (15deg Crank, 90deg tip Shank)	2.34
PS006PD017-203N	6MHz	1.7 (MIN) Tip Length (Total Length 203mm, 8.0") (15deg Crank, 90deg tip Shank)	2.34
PS006PD064-114N	6MHz	6.4 (0.25") Tip Length (Total Length 114mm, 4.5") (15deg Crank, 90deg tip Shank)	2.34
PS006PD064-152N	6MHz	6.4 (0.25") Tip Length (Total Length 152mm, 6.0") (15deg Crank, 90deg tip Shank)	2.34
PS006PD064-203N	6MHz	6.4 (0.25") Tip Length (Total Length 203mm, 8.0") (15deg Crank, 90deg tip Shank)	2.34
PS006PD127-114N	6MHz	12.7 (0.5") Tip Length (Total Length 114mm, 4.5") (15deg Crank, 90deg tip Shank)	2.34
PS006PD127-152N	6MHz	12.7 (0.5") Tip Length (Total Length 152mm, 6.0") (15deg Crank, 90deg tip Shank)	2.34
PS006PD127-203N	6MHz	12.7 (0.5") Tip Length (Total Length 203mm, 8.0") (15deg Crank, 90deg tip Shank)	2.34
PS006PD190-114N	6MHz	19.0 (0.75") Tip Length (Total Length 114mm, 4.5") (15deg Crank, 90deg tip Shank)	2.34
PS006PD190-152N	6MHz	19.0 (0.75") Tip Length (Total Length 152mm, 6.0") (15deg Crank, 90deg tip Shank)	2.34
PS006PD190-203N	6MHz	19.0 (0.75") Tip Length (Total Length 203mm, 8.0") (15deg Crank, 90deg tip Shank)	2.34
PS006PD254-114N	6MHz	25.4 (1") Tip Length (Total Length 114mm, 4.5") (15deg Crank, 90deg tip Shank)	2.34
PS006PD254-152N	6MHz	25.4 (1") Tip Length (Total Length 152mm, 6.0") (15deg Crank, 90deg tip Shank)	2.34

ETHer NDE Part No.	Centre Frequency	Tip Length (Total Length)	ØTip
Probe, Shielded, Plastic Handle, Double crank			
PS006PD190-203N	6MHz	25.4 (1") Tip Length (Total Length 203mm, 8.0") (15deg Crank, 90deg tip Shank)	2.34
Other options available on request.			

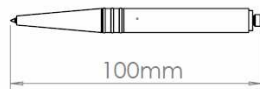
Leads to fit above probes:

ETHer NDE Part No.	Description	Instrument	Connector Instrument End	Connector Probe End	Cable Length	Configuration
ALL12-M02-015A	Lead	Hocking/GE	Lemo 12-Way	Micro Plug	1.5m	Absolute
ALB02-M02-015A	Lead	Various	BNC Plug	Micro Plug	1.5m	Absolute
ALL07-M02-015A	Lead	Hocking	Lemo 7-Way	Micro Plug	1.5m	Absolute

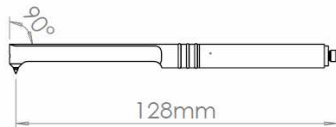
Thread Inspection Probes (Unshielded) - Absolute

Pencil Type

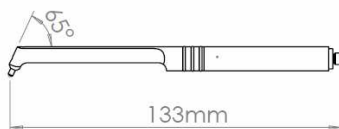
Straight - External Threads (Bolts):



90deg Crank - External and Internal Threads (Bolts and Nuts):



65deg Crank – Internal Thread (Nuts):



Application:

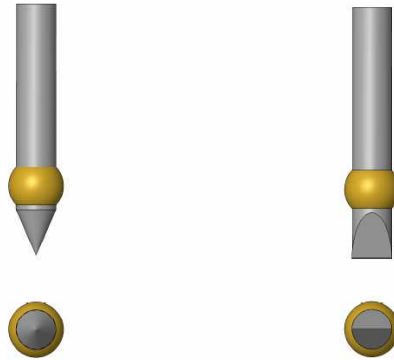
Unshielded Absolute thread inspection probes – for crack detection in external and internal threads.

Specification:

- Micro connector
- Centre frequency range - 200kHz 500kHz, 2MHz
- Operating range – 200kHz (50kHz – 600kHz), 500kHz (150kHz – 1.5MHz), 2MHz – (650kHz – 6MHz)
- Used on Fe & NFe applications
- Disconnectable

Notes:

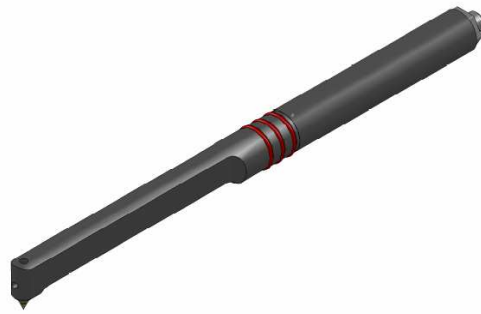
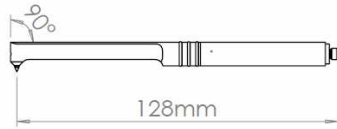
This range of probes comes with either a pointed or chiselled tip.



Probe Coding:

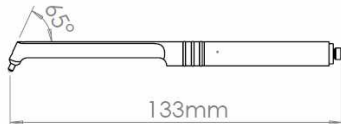


ETHer NDE Part No.	Description	Centre Frequency	Tip Shape
Probe, Thread, External (Straight), Pointed/Chiselled			
PTE200PNFE	Probe, Thread, External, 200kHz, Pointed, NFE, Unshielded.	200kHz	Pointed
PTE200PFE	Probe, Thread, External, 200kHz, Pointed, FE, Unshielded.	200kHz	Pointed
PTE200CNFE	Probe, Thread, External, 200kHz, Chisel, NFE, Unshielded.	200kHz	Chisel
PTE200CFE	Probe, Thread, External, 200kHz, Chisel, FE, Unshielded.	200kHz	Chisel
PTE500PNFE	Probe, Thread, External, 500kHz, Pointed, NFE, Unshielded.	500kHz	Pointed
PTE500PFE	Probe, Thread, External, 500kHz, Pointed, FE, Unshielded.	500kHz	Pointed
PTE500CNFE	Probe, Thread, External, 500kHz, Chisel, NFE, Unshielded.	500kHz	Chisel
PTE500CFE	Probe, Thread, External, 500kHz, Chisel, FE, Unshielded.	500kHz	Chisel
PTE002PNFE	Probe, Thread, External, 2MHz, Pointed, NFE, Unshielded.	2MHz	Pointed
PTE002PFE	Probe, Thread, External, 2MHz, Pointed, FE, Unshielded.	2MHz	Pointed
PTE002CNFE	Probe, Thread, External, 2MHz, Chisel, NFE, Unshielded.	2MHz	Chisel
PTE002CFE	Probe, Thread, External, 2MHz, Chisel, FE, Unshielded.	2MHz	Chisel
Other options available on request.			



ETHer NDE Part No.	Description	Centre Frequency	Tip Shape
Probe, Thread, Right Angled, Pointed/Chiselled			
PTR200PNFE	Probe, Thread, 90 deg, 200kHz, Pointed, NFE, Unshielded.	200kHz	Pointed
PTR200PFE	Probe, Thread, 90 deg, 200kHz, Pointed, FE, Unshielded.	200kHz	Pointed
PTR200CNFE	Probe, Thread, 90 deg, 200kHz, Chisel, NFE, Unshielded.	200kHz	Chisel
PTR200CFE	Probe, Thread, 90 deg, 200kHz, Chisel, FE, Unshielded.	200kHz	Chisel
PTR500PNFE	Probe, Thread, 90 deg, 500kHz, Pointed, NFE, Unshielded.	500kHz	Pointed
PTR500PFE	Probe, Thread, 90 deg, 500kHz, Pointed, FE, Unshielded.	500kHz	Pointed
PTR500CNFE	Probe, Thread, 90 deg, 500kHz, Chisel, NFE, Unshielded.	500kHz	Chisel
PTR500CFE	Probe, Thread, 90 deg, 500kHz, Chisel, FE, Unshielded.	500kHz	Chisel
PTR002PNFE	Probe, Thread, 90 deg, 2MHz, Pointed, NFE, Unshielded.	2MHz	Pointed
PTR002PFE	Probe, Thread, 90 deg, 2MHz, Pointed, FE, Unshielded.	2MHz	Pointed
PTR002CNFE	Probe, Thread, 90 deg, 2MHz, Chisel, NFE, Unshielded.	2MHz	Chisel
PTR002CFE	Probe, Thread, 90 deg, 2MHz, Chisel, FE, Unshielded.	2MHz	Chisel

Other options available on request.



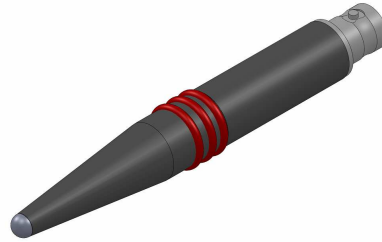
ETHer NDE Part No.	Description	Centre Frequency	Tip Shape
Probe, Thread, Internal 65 deg, Pointed/Chiselled			
PTI200PNFE	Probe, Thread, Internal 65deg, 200kHz, Pointed, NFE, Unshielded.	200kHz	Pointed
PTI200PFE	Probe, Thread, Internal 65deg, 200kHz, Pointed, FE, Unshielded.	200kHz	Pointed
PTI200CNFE	Probe, Thread, Internal 65deg, 200kHz, Chisel, NFE, Unshielded.	200kHz	Chisel
PTI200CFE	Probe, Thread, Internal 65deg, 200kHz, Chisel, FE, Unshielded.	200kHz	Chisel
PTI500PNFE	Probe, Thread, Internal 65deg, 500kHz, Pointed, NFE, Unshielded.	500kHz	Pointed
PTI500PFE	Probe, Thread, Internal 65deg, 500kHz, Pointed, FE, Unshielded.	500kHz	Pointed
PTI500CNFE	Probe, Thread, Internal 65deg, 500kHz, Chisel, NFE, Unshielded.	500kHz	Chisel
PTI500CFE	Probe, Thread, Internal 65deg, 500kHz, Chisel, FE, Unshielded.	500kHz	Chisel
PTI002PNFE	Probe, Thread, Internal 65deg, 2MHz, Pointed, NFE, Unshielded.	2MHz	Pointed
PTI002PFE	Probe, Thread, Internal 65deg, 2MHz, Pointed, FE, Unshielded.	2MHz	Pointed
PTI002CNFE	Probe, Thread, Internal 65deg, 2MHz, Chisel, NFE, Unshielded.	2MHz	Chisel
PTI002CFE	Probe, Thread, Internal 65deg, 2MHz, Chisel, FE, Unshielded.	2MHz	Chisel

Other options available on request.

Leads to fit above probes:

ETher NDE Part No.	Description	Instrument	Connector Instrument End	Connector Probe End	Cable Length	Configuration
ALL12-M02-015A	Lead	Hocking/GE	Lemo 12-Way	Micro Plug	1.5m	Absolute
ALB02-M02-015A	Lead	Various	BNC Plug	Micro Plug	1.5m	Absolute
ALL07-M02-015A	Lead	Hocking	Lemo 7-Way	Micro Plug	1.5m	Absolute

Broad Band Probes - Absolute



Application:

Absolute unshielded broad band probes - for general purpose inspection of surface breaking defects and metallurgy variations and to estimate coating (Paint) thickness.

Specification:

- Broad range with centre frequency – 5kHz, 20kHz, 100kHz, 500kHz, 2MHz
- Plastic Handle with neoprene grip
- BNC Connector

Notes:

A range of balance loads also available for use with some impedance plane instruments.

Probe Coding:

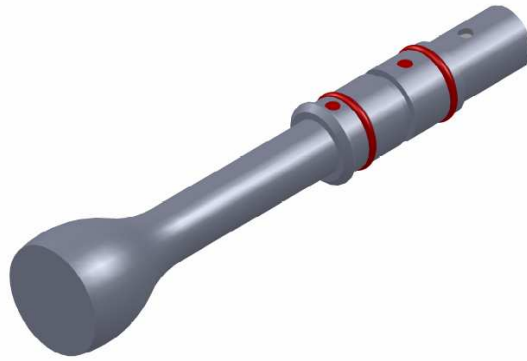
ETHer NDE Part No.	Description	Centre Frequency	Frequency Range	Connector
Probe, Unshielded, Broad Band				
PUB2M	Probe, Unshielded, Broad Band, 2MHz	2MHz (5.6uH)	500kHz - 4MHz	BNC Socket
PUB500k	Probe, Unshielded, Broad Band, 500k	500kHz (22uH)	150kHz - 1MHz	BNC Socket
PUB100k	Probe, Unshielded, Broad Band, 100k	100kHz (82uH)	35kHz - 250kHz	BNC Socket
PUB20k	Probe, Unshielded, Broad Band, 20k	20kHz (390uH)	7kHz - 60kHz	BNC Socket
PUB5k	Probe, Unshielded, Broad Band, 5k	5kHz (1500uH)	2kHz - 15kHz	BNC Socket

Leads to fit above probes:

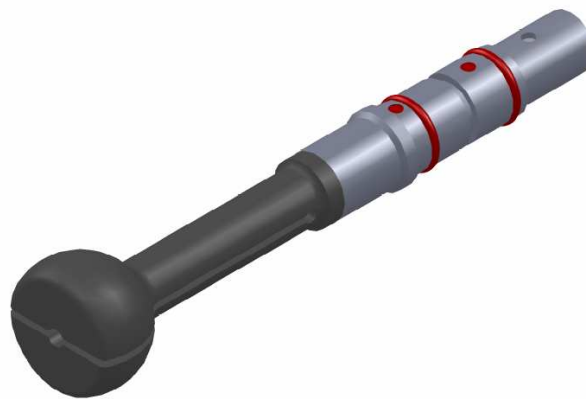
ETHer NDE Part No.	Description	Instrument	Connector Instrument End	Connector Probe End	Cable Length	Configuration
ALL12-B02-015A	Lead	Hocking/GE	Lemo 12-Way	BNC Plug	1.5m	Absolute
ALL07-B02-015A	Lead	Hocking	Lemo 7-Way	BNC Plug	1.5m	Absolute
ALB02-B02-015A	Lead	Various	BNC Plug	BNC Plug	1.5m	Absolute

Rotating Probes - Reflection

Rigid Stainless Steel



Delrin Flexible



Application:

Differential Rotating Probes - for internal diameter inspection of bore holes, countersinks and counter bores.

Specification:

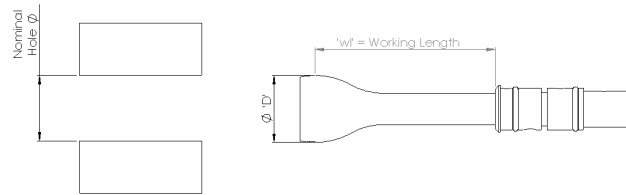
- Probe diameters from 1.6 to 50mm, available in 0.01mm steps
- Fischer connector to Hocking, GE, Rohmann and Forster drive units.
- Frequency range from 200kHz to 2MHz
- Comes in rigid stainless steel and delrin flexible options

Notes:

When ordering ID probes 0.1mm is automatically taken off probe diameter during manufacture, this should be good for typical hole condition and manufacturing tolerances. Where tolerances are poor allow for greater clearance.

Example: To inspect a $\varnothing 12.7$ (1/2") hole a $\varnothing 12.7$ probe should be ordered which will be manufactured to a $\varnothing 12.6$.

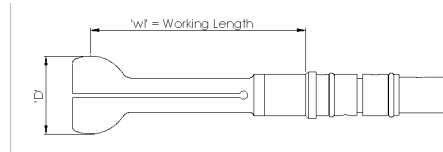
Rigid Stainless Steel Coding:



ETHer NDE Part No.	Description	Nominal Hole Dia "	Nominal Hole Dia mm	'wl' - Working Length mm
Imperial Examples:				
PRR0159-035	Probe. Rotating, Rigid, Dia = 1.59mm (1/6"), wl = 35mm	1/6"	1.59	35.0
PRR0198-035	Probe. Rotating, Rigid, Dia = 1.98mm (5/64"), wl = 35mm	5/64"	1.98	35.0
PRR0238-035	Probe. Rotating, Rigid, Dia = 2.38mm (3/32"), wl = 35mm	3/32"	2.38	35.0
PRR0287-035	Probe. Rotating, Rigid, Dia = 2.87mm (7/64"), wl = 35mm	7/64"	2.87	35.0
PRR0318-035	Probe. Rotating, Rigid, Dia = 3.18mm (1/8"), wl = 35mm	1/8"	3.18	35.0
PRR0357-035	Probe. Rotating, Rigid, Dia = 3.57mm (9/64"), wl = 35mm	9/64"	3.57	35.0
PRR0397-035	Probe. Rotating, Rigid, Dia = 3.97mm (5/32"), wl = 35mm	5/32"	3.97	35.0
PRR0437-035	Probe. Rotating, Rigid, Dia = 4.37mm (11/64"), wl = 35mm	11/64"	4.37	35.0
PRR0476-035	Probe. Rotating, Rigid, Dia = 4.76mm (3/16"), wl = 35mm	3/16"	4.76	35.0
PRR0516-035	Probe. Rotating, Rigid, Dia = 5.16mm (13/64"), wl = 35mm	13/64"	5.16	35.0
PRR0556-035	Probe. Rotating, Rigid, Dia = 5.56mm (7/32"), wl = 35mm	7/32"	5.56	35.0
PRR0595-035	Probe. Rotating, Rigid, Dia = 5.95mm (15/64"), wl = 35mm	15/64"	5.95	35.0
PRR0635-035	Probe. Rotating, Rigid, Dia = 6.35mm (1/4"), wl = 35mm	1/4"	6.35	35.0
PRR0675-035	Probe. Rotating, Rigid, Dia = 6.75mm (17/64"), wl = 35mm	17/64"	6.75	35.0
PRR0714-035	Probe. Rotating, Rigid, Dia = 7.14mm (9/32"), wl = 35mm	9/32"	7.14	35.0
PRR0754-035	Probe. Rotating, Rigid, Dia = 7.54mm (19/64"), wl = 35mm	19/64"	7.54	35.0
PRR0794-035	Probe. Rotating, Rigid, Dia = 7.94mm (5/16"), wl = 35mm	5/16"	7.94	35.0
PRR0833-035	Probe. Rotating, Rigid, Dia = 8.33mm (13/64"), wl = 35mm	13/64"	8.33	35.0
PRR0873-035	Probe. Rotating, Rigid, Dia = 8.73mm (11/32"), wl = 35mm	11/32"	8.73	35.0
PRR0913-035	Probe. Rotating, Rigid, Dia = 9.13mm (23/64"), wl = 35mm	23/64"	9.13	35.0
PRR0953-035	Probe. Rotating, Rigid, Dia = 9.53mm (3/8"), wl = 35mm	3/8"	9.53	35.0
PRR0992-035	Probe. Rotating, Rigid, Dia = 9.92mm (25/64"), wl = 35mm	25/64"	9.92	35.0
PRR1032-035	Probe. Rotating, Rigid, Dia = 10.32mm (13/32"), wl = 35mm	13/32"	10.32	35.0
PRR1072-035	Probe. Rotating, Rigid, Dia = 10.72mm (27/64"), wl = 35mm	27/64"	10.72	35.0
PRR1111-035	Probe. Rotating, Rigid, Dia = 11.11mm (7/16"), wl = 35mm	7/16"	11.11	35.0
PRR1151-035	Probe. Rotating, Rigid, Dia = 11.51mm (29/64"), wl = 35mm	29/64"	11.51	35.0
PRR1191-035	Probe. Rotating, Rigid, Dia = 11.91mm (15/32"), wl = 35mm	15/32"	11.91	35.0
PRR1230-035	Probe. Rotating, Rigid, Dia = 12.30mm (31/64"), wl = 35mm	31/64"	12.30	35.0
PRR1270-035	Probe. Rotating, Rigid, Dia = 12.70mm (1/2"), wl = 35mm	1/2"	12.70	35.0
PRR1310-065	Probe. Rotating, Rigid, Dia = 13.10mm (33/64") wl = 65mm	33/64"	13.10	65.0
PRR1350-065	Probe. Rotating, Rigid, Dia = 13.50mm (17/32") wl = 65mm	17/32"	13.50	65.0
PRR1390-065	Probe. Rotating, Rigid, Dia = 13.90mm (35/64") wl = 65mm	35/64"	13.9	65.0
PRR1430-065	Probe. Rotating, Rigid, Dia = 14.30mm (9/16") wl = 65mm	9/16"	14.3	65.0
PRR1470-065	Probe. Rotating, Rigid, Dia = 14.70mm (37/64") wl = 65mm	37/64"	14.7	65.0
PRR1510-065	Probe. Rotating, Rigid, Dia = 15.10mm (19/32") wl = 65mm	19/32"	15.1	65.0
PRR1550-065	Probe. Rotating, Rigid, Dia = 15.50mm (39/64") wl = 65mm	39/64"	15.5	65.0
PRR1590-065	Probe. Rotating, Rigid, Dia = 15.90mm (5/8") wl = 65mm	5/8"	15.9	65.0
PRR1630-065	Probe. Rotating, Rigid, Dia = 16.30mm (41/64") wl = 65mm	41/64"	16.3	65.0
PRR1670-065	Probe. Rotating, Rigid, Dia = 16.70mm (21/32") wl = 65mm	21/32"	16.7	65.0
PRR1710-065	Probe. Rotating, Rigid, Dia = 17.10mm (43/64") wl = 65mm	43/64"	17.1	65.0
PRR1750-065	Probe. Rotating, Rigid, Dia = 17.50mm (11/16") wl = 65mm	11/16"	17.5	65.0

ETHer NDE Part No.	Description	Nominal Hole Dia "	Nominal Hole Dia mm	'wl' - Working Length mm
PRR1790-065	Probe. Rotating, Rigid, Dia = 17.90mm (45/64") wl = 65mm	45/64"	17.9	65.0
PRR1830-065	Probe. Rotating, Rigid, Dia = 18.30mm (23/32") wl = 65mm	23/32"	18.3	65.0
PRR1870-065	Probe. Rotating, Rigid, Dia = 18.70mm (47/64") wl = 65mm	47/64"	18.7	65.0
PRR1910-065	Probe. Rotating, Rigid, Dia = 19.10mm (3/4") wl = 65mm	3/4"	19.1	65.0
PRR1950-065	Probe. Rotating, Rigid, Dia = 19.50mm (49/64") wl = 65mm	49/64"	19.5	65.0
PRR1980-065	Probe. Rotating, Rigid, Dia = 19.80mm (25/32") wl = 65mm	25/32"	19.8	65.0
PRR2020-065	Probe. Rotating, Rigid, Dia = 20.20mm (51/64") wl = 65mm	51/64"	20.2	65.0
PRR2060-065	Probe. Rotating, Rigid, Dia = 20.60mm (13/16") wl = 65mm	13/16"	20.6	65.0
PRR2100-065	Probe. Rotating, Rigid, Dia = 21.00mm (63/64") wl = 65mm	53/64"	21.0	65.0
PRR2140-065	Probe. Rotating, Rigid, Dia = 20.20mm (27/32") wl = 65mm	27/32"	21.4	65.0
PRR2180-065	Probe. Rotating, Rigid, Dia = 20.20mm (55/64") wl = 65mm	55/64"	21.8	65.0
PRR2220-065	Probe. Rotating, Rigid, Dia = 20.20mm (7/8") wl = 65mm	7/8"	22.2	65.0
PRR2260-065	Probe. Rotating, Rigid, Dia = 20.20mm (57/64") wl = 65mm	57/64"	22.6	65.0
PRR2300-065	Probe. Rotating, Rigid, Dia = 20.20mm (29/32") wl = 65mm	29/32"	23.0	65.0
PRR2340-065	Probe. Rotating, Rigid, Dia = 20.20mm (59/64") wl = 65mm	59/64"	23.4	65.0
PRR2380-065	Probe. Rotating, Rigid, Dia = 20.20mm (15/16") wl = 65mm	15/16"	23.8	65.0
PRR2420-065	Probe. Rotating, Rigid, Dia = 20.20mm (61/64") wl = 65mm	61/64"	24.2	65.0
PRR2460-065	Probe. Rotating, Rigid, Dia = 20.20mm (31/32") wl = 65mm	31/32"	24.6	65.0
PRR2500-065	Probe. Rotating, Rigid, Dia = 20.20mm (63/64") wl = 65mm	63/64"	25.0	65.0
PRR2540-065	Probe. Rotating, Rigid, Dia = 20.20mm (1.0") wl = 65mm	1.0	25.4	65.0
Metric Examples:				
PRR0300-035	Probe. Rotating, Rigid, Dia = 3.00mm, wl = 35mm		3.00	35.0
PRR0400-035	Probe. Rotating, Rigid, Dia = 4.00mm, wl = 35mm		4.00	35.0
PRR0500-035	Probe. Rotating, Rigid, Dia = 5.00mm, wl = 35mm		5.00	35.0
PRR0600-035	Probe. Rotating, Rigid, Dia = 6.00mm, wl = 35mm		6.00	35.0
PRR0700-035	Probe. Rotating, Rigid, Dia = 7.00mm, wl = 35mm		7.00	35.0
PRR0800-035	Probe. Rotating, Rigid, Dia = 8.00mm, wl = 35mm		8.00	35.0
PRR0900-035	Probe. Rotating, Rigid, Dia = 9.00mm, wl = 35mm		9.00	35.0
PRR1000-035	Probe. Rotating, Rigid, Dia = 10.00mm, wl = 35mm		10.00	35.0
PRR1100-035	Probe. Rotating, Rigid, Dia = 11.00mm, wl = 35mm		11.00	35.0
PRR1200-035	Probe. Rotating, Rigid, Dia = 12.00mm, wl = 35mm		12.00	35.0
PRR1300-035	Probe. Rotating, Rigid, Dia = 13.00mm, wl = 35mm		13.00	65.0
PRR1400-035	Probe. Rotating, Rigid, Dia = 14.00mm, wl = 35mm		14.00	65.0
PRR1500-035	Probe. Rotating, Rigid, Dia = 15.00mm, wl = 35mm		15.00	65.0
PRR1600-035	Probe. Rotating, Rigid, Dia = 16.00mm, wl = 35mm		16.00	65.0
PRR1700-035	Probe. Rotating, Rigid, Dia = 17.00mm, wl = 35mm		17.00	65.0
PRR1800-035	Probe. Rotating, Rigid, Dia = 18.00mm, wl = 35mm		18.00	65.0
PRR1900-035	Probe. Rotating, Rigid, Dia = 19.00mm, wl = 35mm		19.00	65.0
PRR2000-035	Probe. Rotating, Rigid, Dia = 20.00mm, wl = 35mm		20.00	65.0
PRR2100-035	Probe. Rotating, Rigid, Dia = 21.00mm, wl = 35mm		21.00	65.0
PRR2200-035	Probe. Rotating, Rigid, Dia = 22.00mm, wl = 35mm		22.00	65.00
PRR2300-035	Probe. Rotating, Rigid, Dia = 23.00mm, wl = 35mm		23.00	65.00
PRR2400-035	Probe. Rotating, Rigid, Dia = 24.00mm, wl = 35mm		24.00	65.00
PRR2500-035	Probe. Rotating, Rigid, Dia = 25.00mm, wl = 35mm		25.00	65.00
Other options available on request.				

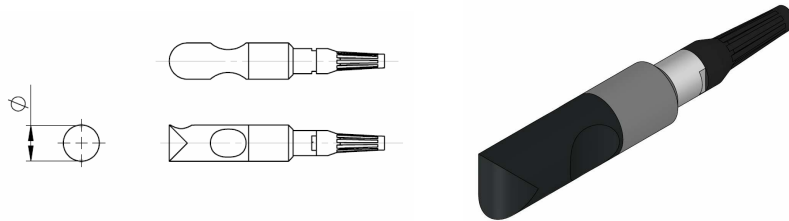
Delrin Flexible Coding:



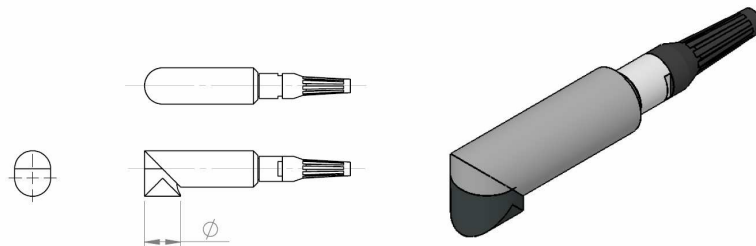
ETHer NDE Part No.	Description	Hole Dia Range mm	'wl' - Working Length mm
Examples:			
PRF045-050051	Probe. Rotating, Flexible, Dia = 4.0 – 5.0mm, wl = 51.00mm	4.0-5.0	51.0
PRF047-057051	Probe. Rotating, Flexible, Dia = 4.7 - 5.7mm, wl = 51.00mm	4.7-5.7	51.0
PRF060-070051	Probe. Rotating, Flexible, Dia = 6.0 – 7.0mm wl = 51.00mm	6.0-7.0	51.0
PRF078-080051	Probe. Rotating, Flexible, Dia = 7.8 – 8.0mm wl = 51.00mm	7.8-8.0	51.0
PRF095-105051	Probe. Rotating, Flexible, Dia = 9.5 – 10.5mm wl = 51.00mm	9.5-10.5	51.0
PRF111-121051	Probe. Rotating, Flexible, Dia = 11.1 – 12.1mm wl = 51.00mm	11.1-12.1	51.0
PRF125-135051	Probe. Rotating, Flexible, Dia = 12.5 – 13.5mm wl = 51.00mm	12.5-13.5	51.0
PRF140-150051	Probe. Rotating, Flexible, Dia = 14.0 – 15.0mm wl = 51.00mm	14.0-15.0	51.0
PRF159-169051	Probe. Rotating, Flexible, Dia = 15.9 – 16.9mm wl = 51.00mm	15.9-16.9	51.0
PRF175-185051	Probe. Rotating, Flexible, Dia = 17.5 – 18.5mm wl = 51.00mm	17.5-18.5	51.0
PRF191-201051	Probe. Rotating, Flexible, Dia = 19.1 – 20.1mm wl = 51.00mm	19.1-20.1	51.0
PRF206-216051	Probe. Rotating, Flexible, Dia = 20.6 – 21.6mm wl = 51.00mm	20.6-21.6	51.0
PRF220-230051	Probe. Rotating, Flexible, Dia = 22.0-23.0mm wl = 51.00mm	22.0-23.0	51.0
PRF235-245051	Probe. Rotating, Flexible, Dia = 23.5-24.5mm wl = 51.00mm	23.5-24.5	51.0
PRF285-295051	Probe. Rotating, Flexible, Dia = 28.5-29.5mm wl = 51.00mm	28.5-29.5	51.0
Other options available on request.			

Weld Probes - Bridge

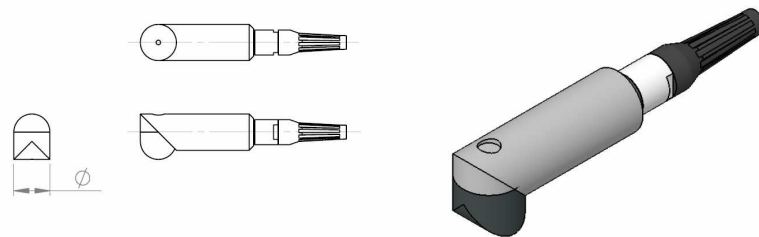
Straight



90deg Inline



90deg Right Angle



Application:

Differential Weld probes - for in-service inspection of welded structures.

Specification:

- Straight, 90deg Inline, 90deg Right Angle
- Diameters, 11.0 (Small), 16 (Medium), 32mm (Large)
- Dis-connectable and integral probe cables
- Cable lengths from 1.5 to 50meters
- Frequency range 100, 200, 100-600kHz
- Minimal lift off signal, can find cracks though paint and oil
- Stainless steel and ceramic tips available on request

Notes:

100kHz probes used on standard ferrous welds

100-600kHz probe can be used on Aluminium and Stainless Steel welds

20kHz probe can be used on multi-surface applications.

Weld Probe Coding System

PWS100S015L12

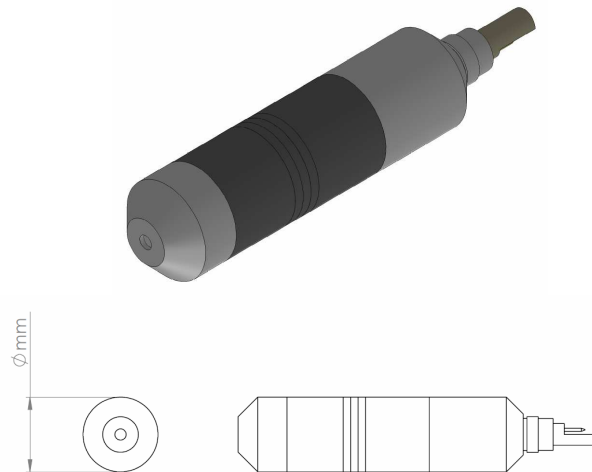
PW	Probe Weld (Plastic)
S	Dia 11.0mm (Small)
M	Dia 16.0mm (Medium)
L	Dia 32.0mm (Large)
100	100kHz (Standard)
020	20kHz Enhanced
106	100-600kHz Multi-surface
S	Straight
I	90 deg Inline
R	90 deg Right Angle
000	Disconnect
015	1.5m Cable
050	5.0m Cable
100	10.0m Cable
500	50.0m Cable
L7	7 Way Lemo
L12	12 Way Lemo
J6	6 Way Jaeger
A4	4-way Amphenol
C3	3-way Cannon

Example: PWS100S015L12

Part Number: Probe, Weld, Dia. 11.0mm (Small), 100kHz, Straight,
1.5m Cable, Lemo 12-Way.

Other options available on request.

Internal Diameter (ID) Probes - Bridge



Application:

Differential ID probes - for internal diameter tube inspection, ideal for inspecting tubular heat exchangers.

Specification:

- Probe diameters from 7.5 to 150mm, available in 0.1mm steps
- Dis-connectable and integral probe cables
- Cable lengths from 3.0 to 30meters
- Frequency range from 2.7 kHz to 1MHz, centre frequencies 2.7, 10, 24, 76, 190, 400kHz.
- Cross axis and driver/pickup options also available on request

Notes:

When ordering ID probes allow 0.8 to 1.5mm less than the tube diameter, this should be good for typical tube condition and manufacturing tolerances. Where tolerances are poor allow for greater clearance, tape can be used were necessary to reduce probe 'wobble'.

ID Probe Coding System

PID212L20R24k

PI	Probe Internal Diameter
D	Differential (Bridge)
091	Dia 9.1mm
212	Dia 21.2mm
D	Disconnectable (Standard) For probes diameters between 11.5mm and 55.0mm
E	Disconnectable For probes diameters above 55.0mm
J	Jaeger 6-Way
L	Lemo 12-Way
M	Lemo 7-Way
Z	4-way Amphenol
03	3.0m Cable
05	5.0m Cable
10	10.0m Cable
20	20.0m Cable (Standard)
30	30.0m Cable
00	Disconnect
F	Flexible
R	Rigid Push/Pull
P	Polyurethane (Semi Rigid)
10k	10KHz
24k	24kHz
190k	190kHz
400k	400kHz

Example Part Number: PID212L20R24k

Description: Probe, Internal Diameter, Differential, Dia 21.2mm, Lemo 12-Way, 20meters, Rigid Push/Pull, 24kHz

Other options available on request.

ID Disconnectable Cable Coding System

CIDL20R

CI Cable Internal Diameter

D Differential (Bridge)

J Jaeger 6-Way

L Lemo 12-Way

M Lemo 7-Way

Z 4-way Amphenol

03 3.0m Cable

05 5.0m Cable

10 10.0m Cable

20 20.0m Cable (Standard)

30 30.0m Cable

F Flexible

R Rigid Push/Pull

P Polyurethane (Semi Rigid)

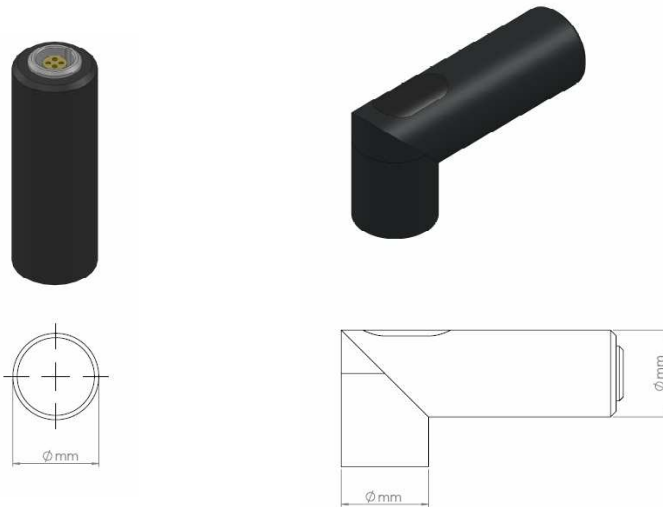
Example Part Number: CIDL20R

Description: Cable, Internal Diameter, Differential, Lemo 12-Way, 20meters,
Rigid Push/Pull.

Other options available on request.

Surface Inspection Probes

Sub Surface Probes



Application:

Reflection sub surface probes - for general purpose inspection of sub-surface corrosion and flaws. This probe has excellent depth penetration making it ideal for multi-layer inspections.

Specification:

- Broad frequency ranges
- Excellent low frequency performance
- Integrated 4-way Lemo connector
- Built in balance coils
- Right angled probes are intensity balanced

Notes:

The lower the frequency the better depth penetration.

Probe Coding:

ETHer NDE Part No.	Description	Ø	Body Material	Frequency Range	Connector
Probe, Surface, Straight					
PUS07	Probe, Surface, Straight,	7mm	St Steel	1kHz – 100kHz	Lemo 4-Way
PUS08	Probe, Surface, Straight,	8mm	St Steel	1kHz – 100kHz	Lemo 4-Way
PUS11	Probe, Surface, Straight,	11mm	Acetal	300Hz – 200KHz	Lemo 4-Way
PUS13	Probe, Surface, Straight,	13mm	Acetal	200Hz – 200KHz	Lemo 4-Way
PUS16	Probe, Surface, Straight,	16mm	Acetal	300Hz – 100kHz	Lemo 4-Way
PUS24	Probe, Surface, Straight,	24mm	Acetal	80Hz – 60KHz	Lemo 4-Way
PUS32	Probe, Surface, Straight,	32mm	Acetal	80Hz – 60KHz	Lemo 4-Way

ETHer NDE Part No.	Description	Ø	Body Material	Frequency Range	Connector
Probe, Surface, Right Angled					
PUR11	Probe, Surface, Right Angled,	11mm	Acetal	300Hz – 200KHz	Lemo 4-Way
PUR13	Probe, Surface, Right Angled,	13mm	Acetal	200Hz – 200KHz	Lemo 4-Way
PUR16	Probe, Surface, Right Angled,	16mm	Acetal	300Hz – 100kHz	Lemo 4-Way
PUR24	Probe, Surface, Right Angled,	24mm	Acetal	80Hz – 60KHz	Lemo 4-Way
PUR32	Probe, Surface, Right Angled,	32mm	Acetal	80Hz – 60KHz	Lemo 4-Way

Leads to fit above probes:

ETHer NDE Part No.	Description	Instrument	Connector Instrument End	Connector Probe End	Cable Length	Configuration
ALL12-L04-015R	Lead	Hocking/GE	Lemo 12-Way	Lemo 4-Way	1.5m	Reflection
ALL07-L04-015R	Lead	Hocking	Lemo 7-Way	Lemo 4-Way	1.5m	Reflection
ALJ06-L04-015R	Lead	Hocking	Jaeger 6-Way	Lemo 4-Way	1.5m	Reflection

Flat Surface Probes



Application:

Absolute metal sorting and general surface probes – low profile so ideal for those tight inspection areas.

Specification:

- Broad frequency ranges
- Integral 1.5m cable
- Built in load
- Low profile

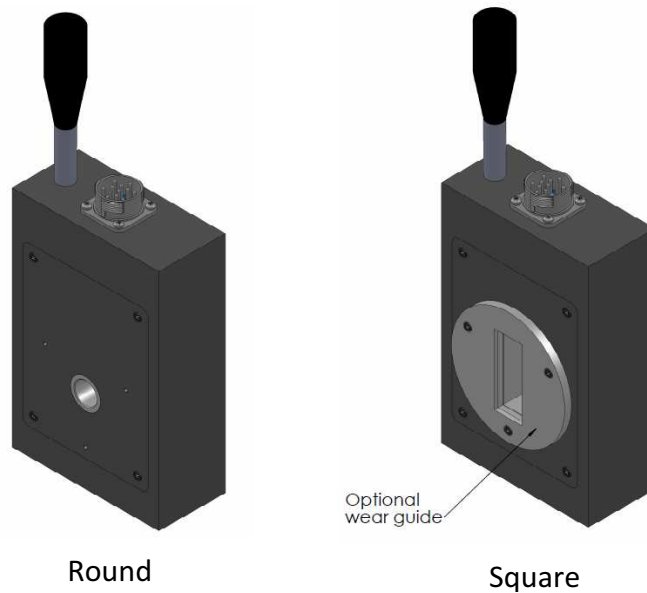
Notes:

The built in load reduces thermal effect.

Probe Coding:

ETHer NDE Part No.	Description	Ø	Frequency Range	Inductance (µH)	Connector
Probe, Surface, Flat					
PUF127-001-010-***	Probe, Surface, Flat	12.7	1.5kHz – 10kHz	3900	*** Add: L07 for Lemo 7Way L12 for Lemo 12Way J06 for Jaeger 6-Way
PUF127-005-040-***	Probe, Surface, Flat	12.7	5kHz - 40kHz	560	
PUF127-050-400-***	Probe, Surface, Flat	12.7	50kHz – 400kHz	56	
PUF127-250-02M-***	Probe, Surface, Flat	12.7	250kHz – 2MHz	12	
PUF127-500-06M-***	Probe, Surface, Flat	12.7	500kHz – 6MHz	5.6	
PUF190-001-010-***	Probe, Surface, Flat	19	1.5kHz – 10kHz	3900	
PUF190-005-040-***	Probe, Surface, Flat	19	5kHz-40kHz	560	
PUF190-050-400-***	Probe, Surface, Flat	19	50kHz – 400kHz	56	
PUF190-250-02M-***	Probe, Surface, Flat	19	250kHz – 2MHz	12	
PUF190-500-06M-***	Probe, Surface, Flat	19	500kHz – 6MHz	5.6	

Encircling Probes



Application:

Absolute – Reflection and Differential - Reflection encircling probes - for use with in-line or off-line high-speed inspection of tubes, wires, bars, etc.

Absolute – Reflection probes ideal for metal sorting, wall thinning and Heat Treatment Applications.

Differential – Reflection probes ideal for defect detection applications, such as cracks and pitting.

Round Encircling Probes used to Inspect - Round Bar, Round Tube, Wire, Metal Sorting Applications, Heat Treatment Applications

Square Encircling Probes used to Inspect - Square Bar, Square Tube, Box Section, Metal Sorting Applications and Heat Treatment Applications

Specification:

- Broad frequency range
- Additional wear guides can be added to standard probes, to increase wear resistance, these can be made in PET or St Steel
- Fitted with a Rapid series 12-Way Jaeger connector for quick connection and de coupling

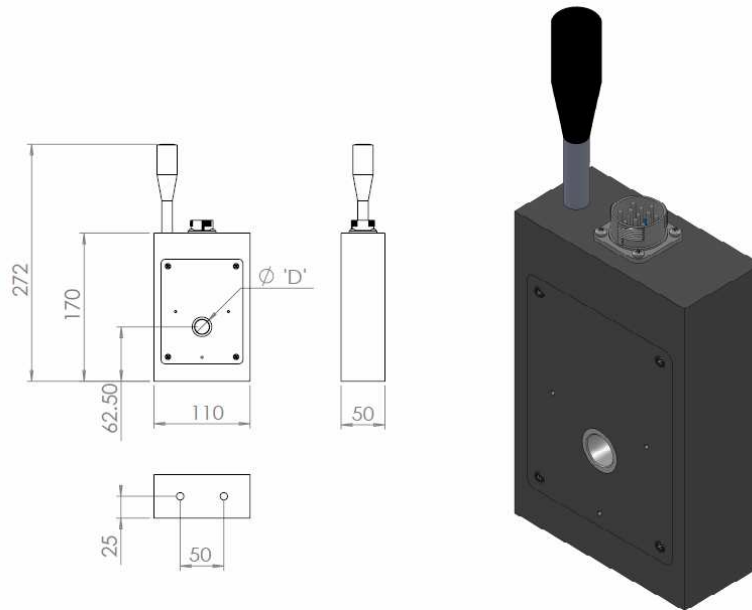
Notes:

Probes are manufactured to the size ordered please take in account the amount of clearance needed based on the part to be inspected, if unsure please ask.

Probes are made to order due to the large variety of configuration available.

Probe Coding:

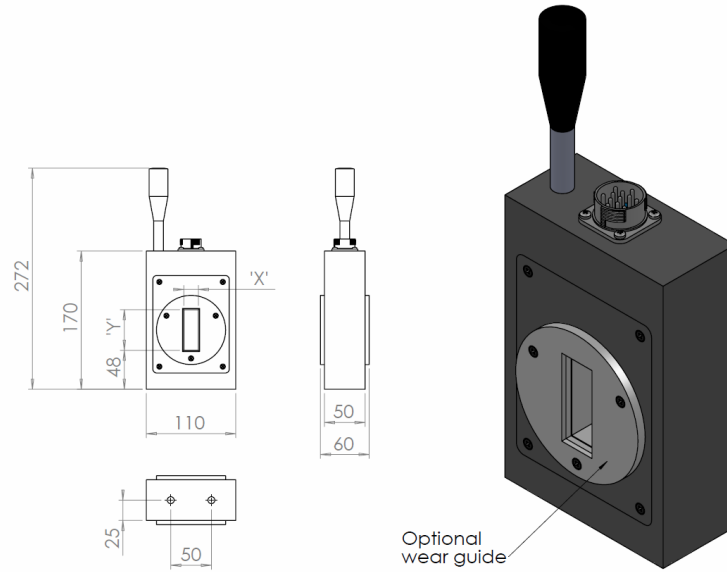
Round Encircling Probes and Wear Guides



Probes are manufactured to the size ordered please take in account the amount of clearance needed based on the part to be inspected, if unsure please ask.

ETHer NDE Part No.	Description	Ø	Frequency	Type
Examples (full range available):				
Probe, Encircling, Round, Dia xxx, Absolute Reflection, Frequency xxx				
PER127A010	Probe, Encircling, Round	12.7	10kHz	Absolute - Reflection
PER180A100	Probe, Encircling, Round	18.0	100kHz	Absolute - Reflection
Probe, Encircling, Round, Dia xxx, Differential - Reflection, Frequency xxx				
PER127D	Probe, Encircling, Round	12.7	1kHz – 500kHz	Differential - Reflection
PER180D	Probe, Encircling, Round	18.0	1kHz – 500kHz	Differential - Reflection
Accessory, Encircling, Round, Wear Guide, PET/St Steel, Dia xxx,				
AERGP127	Accessory, Encircling, Round, Guide, PET	12.7	Standard - PET (Ertalyte) Guides – A bearing plastic with excellent wear resistance.	
AERGP180	Accessory, Encircling, Round, Guide, PET	18.0		
AERGS127	Accessory, Encircling, Round, Guide, St Steel	12.7	St Steel Guides – For very high wear resistance and high mechanical strength.	
AERGS180	Accessory, Encircling, Round, Guide, St Steel	18.0		

Square Encircling Probes and Wear Guides



Probes are manufactured to the size ordered please take in account the amount of clearance needed based on the part to be inspected, if unsure please ask.

Round Encircling Probes and Wear Guides

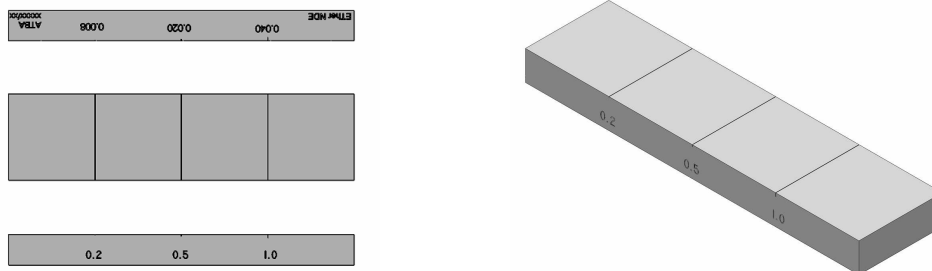
ETHer NDE Part No.	Description	'X' - 'Y'	Frequency	Type
Examples (full range available):				
Probe, Encircling, Square, X= xxx - Y= xxx, Absolute Reflection, Frequency xxx				
PES190-190A010	Probe, Encircling, Square	19.0 – 19.0	10kHz	Absolute - Reflection
PES180-500A100	Probe, Encircling, Square	18.0 – 50.0	100kHz	Absolute - Reflection
Probe, Encircling, Square, X= xxx - Y= xxx, Differential - Reflection, Frequency xxx				
PES190-190D	Probe, Encircling, Square	19.0 – 19.0	1kHz – 500kHz	Differential - Reflection
PES180-500D	Probe, Encircling, Square	18.0 – 50.0	1kHz – 500kHz	Differential - Reflection
Accessory, Encircling, Square, Wear Guide, PET/St Steel, X= xxx - Y= xxx				
AESGP190-190	Accessory, Encircling, Square, Guide, PET	19.0 – 19.0	Standard - PET (Ertalyte) Guides – A bearing plastic with excellent wear resistance.	
AESGP180-500	Accessory, Encircling, Square, Guide, PET	18.0 – 50.0		
AESGS190-190	Accessory, Encircling, Square, Guide, St Steel	19.0 – 19.0	St Steel Guides – For very high wear resistance and high mechanical strength.	
AESGS180-500	Accessory, Encircling, Square, Guide, St Steel	18.0 – 50.0		

Leads to fit above probes:

ETher NDE Part No.	Description	Instrument	Connector Instrument End	Connector Probe End	Cable Length	Configurati on
ALL12-J12-020AR	Lead	Hocking/GE	Lemo 12-Way	Jaeger 12-Way	2.0m	Absolute - Reflection
ALL07-J12-020AR	Lead	Hocking	Lemo 7-Way	Jaeger 12-Way	2.0m	Absolute - Reflection
ALJ06-J12-020AR	Lead	Hocking	Jaeger 6-Way	Jaeger 12-Way	2.0m	Absolute - Reflection
ALL12-J12-020DR	Lead	Hocking/GE	Lemo 12-Way	Jaeger 12-Way	2.0m	Differential - Reflection
ALL07-J12-020DR	Lead	Hocking	Lemo 7-Way	Jaeger 12-Way	2.0m	Differential - Reflection
ALJ06-J12-020DR	Lead	Hocking	Jaeger 6-Way	Jaeger 12-Way	2.0m	Differential - Reflection

Test Blocks

General Purpose with Slots



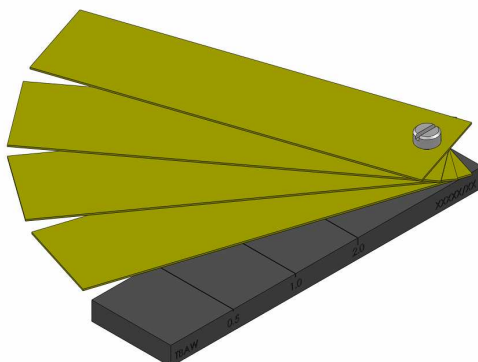
Application:

Test blocks – general purpose with 0.2 (0.008”), 0.5 (0.020”) and 1.0mm (0.040”) slots to enable correct calibration.

Test Block Coding:

ETHer NDE Part No.	Description	Material
Accessory, Test Block,		
ATBF	Test Block	Ferrous (Steel EN1A)
ATBA	Test Block	Aluminium Alloy 7075-T6
ATBT	Test Block	Titanium 6A14V
ATBS	Test Block	Stainless Steel
ATBM	Test Block	Magnesium

Weld Probe Test Block



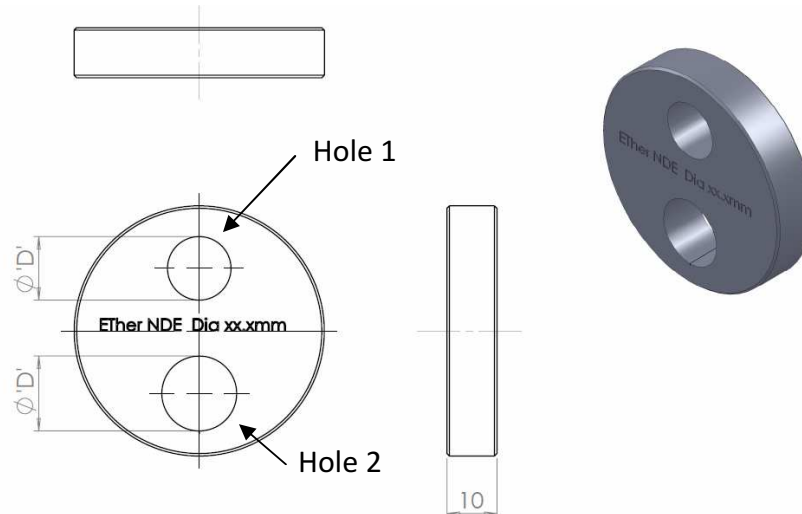
Application:

Weld probe test block – coating thickness calibration standard with 0.2 (0.008”), 1.0 (0.040”) and 2.0mm (0.80”) slots including x4 0.5mm (0.020”) shims, used in conjunction with broad band (paint) probe PUB100k to set sensitivity levels before weld inspection.

Test Block Coding:

ETHer NDE Part No.	Description	Material
ATBW	Test Block	Ferrous (Steel EN1A) + x4 0.5mm Shims

Rotating Probe Test Block



Application:

Rotating probe test blocks – available in a number of materials with a large variety of defect types, used to enable correct calibration of rotating probes.

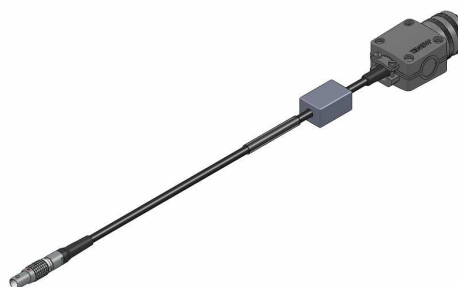
Test Block Coding:

ETHer NDE Part No.	Description	Material	Hole Ø	Hole 1	Hole 2
Accessory, Test Block, Rotating, Material Type (A, F, T or S), Hole Diameter (mm) xxx, Defect Type in Hole 2 X					
ATBRAxxxX	Test Block, Rotating Probe	Aluminium Alloy 7075-T6	Hole Ø xxx Example: 12.7mm = 127	Defect Free Hole	Defect Type X
ATBRFxxxX	Test Block, Rotating Probe	Ferrous (Steel EN1A)			(Standard) Side Drilled H ole (Ø 1mm)
ATBRTxxxX	Test Block, Rotating Probe	Titanium 6A14V			C orner Notch (0.030" x 0.030")
ATBRSxxxX	Test Block, Rotating Probe	Stainless Steel 304			T hrough Notch (0.020" deep x 0.004" Wide)

Leads

Notes:

Leads come as standard in a 1.5m cable length, other lengths available on request.



Hocking Phasec/Quick Check (Jaeger 6-Way):

ETHer NDE Part No.	Description	Instrument	Connector Instrument End	Connector Probe End	Cable Length	Configuration
ALJ06-L04-015R	Lead	Hocking	Jaeger 6-Way	Lemo 4-Way	1.5m	Reflection
ALJ06-L04-015B	Lead	Hocking	Jaeger 6-Way	Lemo 4-Way	1.5m	Bridge

Hocking Phasec2200/D60/D62, Phasec 3d, Phasec 2d, Phasec 2s, Locator 3, (Lemo 12-Way):

ETHer NDE Part No.	Description	Instrument	Connector Instrument End	Connector Probe End	Cable Length	Configuration
ALL12-L04-015R	Lead	Hocking/GE	Lemo 12-Way	Lemo 4-Way	1.5m	Reflection
ALL12-L04-015B	Lead	Hocking/GE	Lemo 12-Way	Lemo 4-Way	1.5m	Bridge
ALL12-M02-015A	Lead	Hocking/GE	Lemo 12-Way	Micro Plug	1.5m	Absolute
ALL12-B02-015A	Lead	Hocking/GE	Lemo 12-Way	BNC Plug	1.5m	Absolute
ALL12-B02-B02-015A	Lead	Hocking/GE	Lemo 12-Way	BNC Plug x2	1.5m	Absolute
ALL12-L05-015F	Lead	Hocking/GE	Lemo 12-Way	Lemo 5-Way	1.5m	FastScan

BNC (Cable Type RG174):

ETHer NDE Part No.	Description	Instrument	Connector Instrument End	Connector Probe End	Cable Length	Configuration
ALB02-B02-015A	Lead	Various	BNC Plug	BNC Plug	1.5m	Absolute
ALB02-M02-015A	Lead	Various	BNC Plug	Micro Plug	1.5m	Absolute

Hocking Locator 2, Locator 2s (Lemo 7-Way):

ETHer NDE Part No.	Description	Instrument	Connector Instrument End	Connector Probe End	Cable Length	Configuration
ALL07-L04-015R	Lead	Hocking	Lemo 7-Way	Lemo 4-Way	1.5m	Reflection
ALL07-L04-015B	Lead	Hocking	Lemo 7-Way	Lemo 4-Way	1.5m	Bridge
ALL07-M02-015A	Lead	Hocking	Lemo 7-Way	Micro Plug	1.5m	Absolute
ALL07-B02-015A	Lead	Hocking	Lemo 7-Way	BNC	1.5m	Absolute
ALL07-B02-B02-015A	Lead	Hocking	Lemo 7-Way	BNC Plug x2	1.5m	Absolute
ALL07-F04-015R	Lead	Rohmann	Lemo 7-Way	Fischer 4-Way	1.5m	Reflection
ALL07-F04-015B	Lead	Rohmann	Lemo 7-Way	Fischer 4-Way	1.5m	Bridge
ALL07-F05-015R	Lead	Forster	Lemo 7-Way	Lemo 5-Way	1.5m	Reflection

Coming Soon

-  Pencil Probes - Shielded Metal Handle
-  Fastener Inspection Probes
-  Sliding Probes
-  Manual Bolt Hole Probes
-  Jet Engine Blade Inspection Probes
-  Differential Scanning Probes
-  Adapters
-  Wheel Inspection Probes

Special Probe Design Check List

1. Customer

Name

Company

Address

Email

Phone

2. Flaw to be detected

Flaw type

Material

Conductivity

Thickness

 Mm

Magnetic

Yes	No
-----	----

Test

Surface	Sub-surface
---------	-------------

Flaw Orientation

Random	Longitudinal	Transverse
--------	--------------	------------

Surface condition

Ground	Drawn	Machined	As cast	Roughness	Other >>	
--------	-------	----------	---------	-----------	----------	--

Defect Length

 mm

Defect Depth

 mm

Defect width

 mm

Depth of penetration

 mm

3. Instrument to be used

4. Probe type

Details of similar probe used

Changes Required

Operation Mode

Absolute	Differential	Bridge	Reflection
----------	--------------	--------	------------

Mode of use

Surface	ID (Bobbin)	OD	Weld	Saddle	Other >>	
---------	-------------	----	------	--------	----------	--

Detection width

 mm

Area to be inspected

Attach/Sketch drawing

Access Limitations

Attach/Sketch drawing

Adverse test environment

Temperature

C

Surface condition

Painted	Corrosion	Grease/Oil	Other >>	<input type="text"/>
---------	-----------	------------	----------	----------------------

Sample components available

Yes	No
-----	----

With flaws


Yes	No
-----	----

Without flaws

Yes	No
-----	----

Available from;

ETher NDE Ltd.
Endeavour House
3 Roundwood Lane
Harpenden,
Herts., AL5 3BW,
UK

 +44 1582 767 912

 sales@ethernde.com

 www.ethernde.com